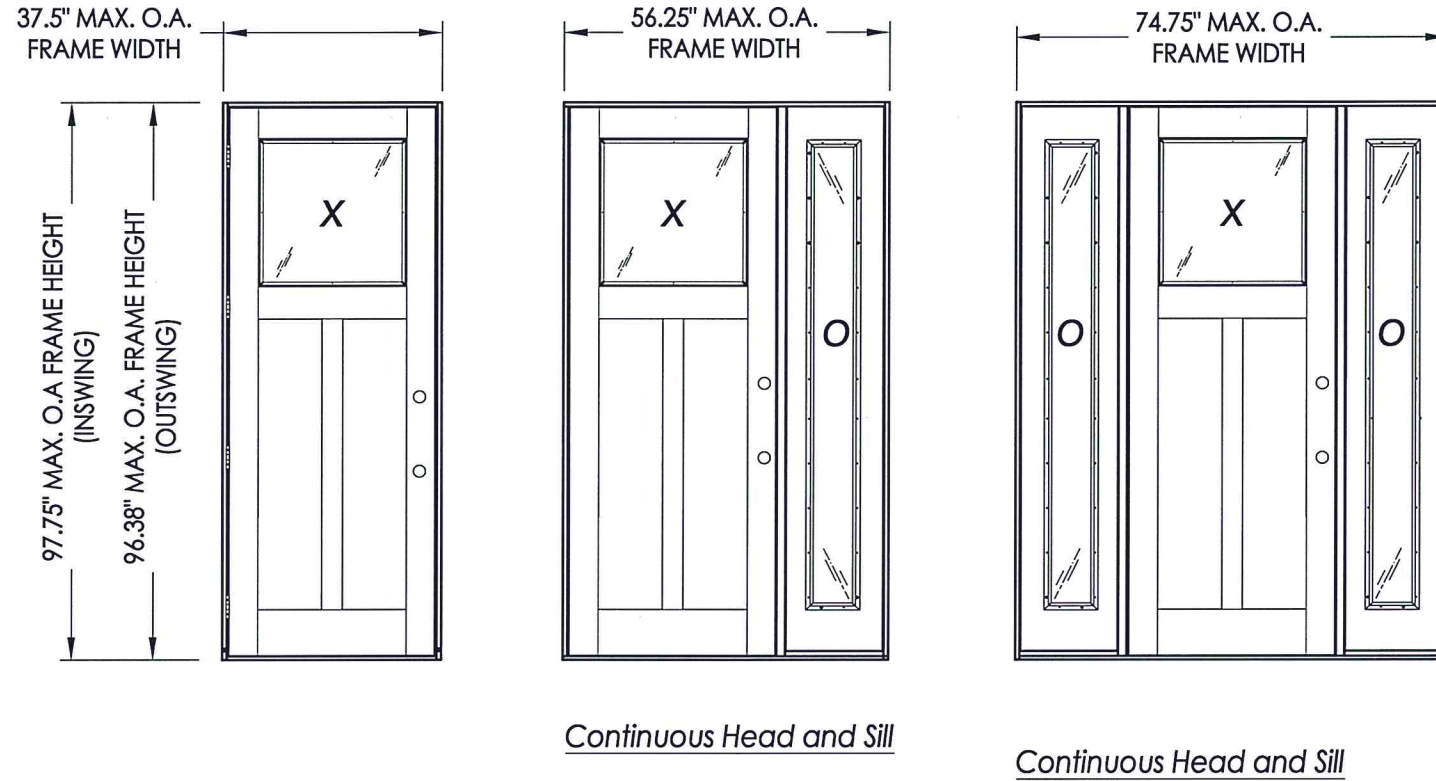


"Lighthouse" Glazed Fiberglass Door w/ or w/out SIDELITE(S) "NON-IMPACT" INSWING / OUTSWING

GENERAL NOTES

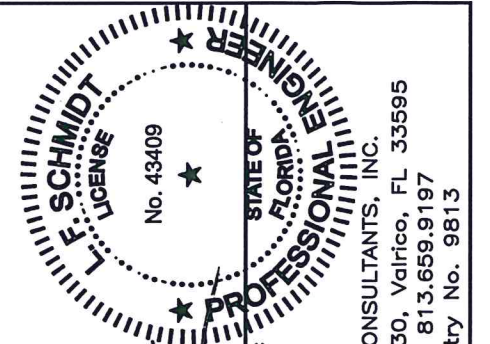
1. This product has been evaluated and is in compliance with the 7th Edition (2020) Florida Building Code (FBC) structural requirements excluding the "High Velocity Hurricane Zone" (HVHZ).
2. Product anchors shall be as listed and spaced as shown on details. Anchor embedment to base material shall be beyond wall dressing or stucco.
3. When used in areas requiring wind borne debris protection, this product is required to be protected with an impact resistant covering that complies with FBC Sections 1609.1.2 & R301.2.1.2.
4. For 2x stud framing construction, anchoring of these units shall be the same as that shown for 2x buck masonry construction.
5. Site conditions that deviate from the details of this drawing require further engineering analysis by a licensed engineer or registered architect.

TABLE OF CONTENTS	
SHEET#	DESCRIPTION
1	Typical elevations, design pressures & general notes
2	Door panel details
3	Sidelite panel details (Lip Lite Frame)
4	Sidelite panel details (Flush Glazing Frame)
5	Elevations
6	Horizontal & vertical cross sections (2X buck)
7	Horizontal & vertical cross sections (1X buck)
8	Horizontal & vertical cross sections (Direct to Masonry)
9	Horizontal cross sections
10	Vertical cross sections
11	Buck anchoring
12	Frame anchoring
13	Components
14	Bill of materials



CONFIGURATION	FRAME MATERIAL	DESIGN PRESSURE (PSF) INSWING		DESIGN PRESSURE (PSF) OUTSWING	
		POSITIVE	NEGATIVE	POSITIVE	NEGATIVE
X, OX, XO, OXO	FJ PINE	+45.0	-55.0	+60.0	-60.0
X, OX, XO, OXO	COMPOSITE	+45.0	-55.0	+50.0	-50.0

Refer to Sheet 4 for Flush Glazed Sidelite design pressure and frame size limitations.

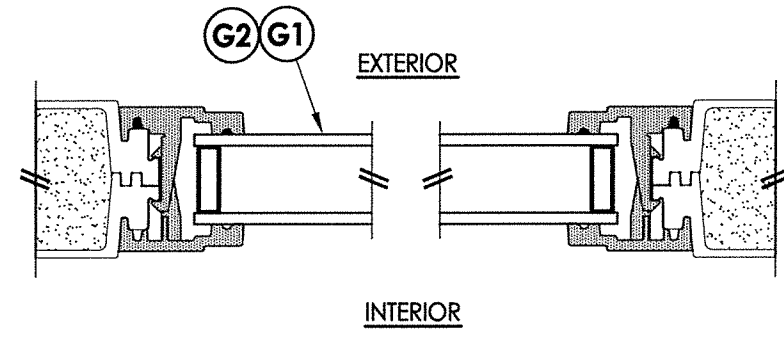
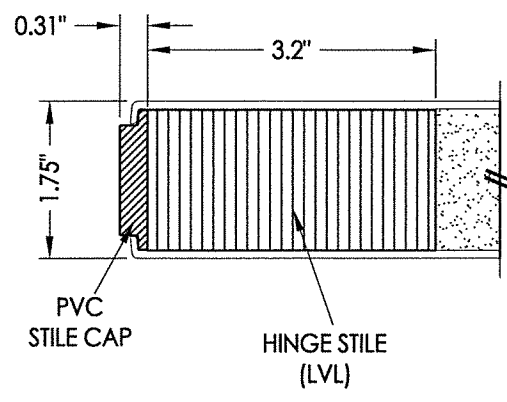


August 11, 2020
 Documents Prepared By:
 Lyndon F. Schmidt
 P.E. No. 43409
 R.W. BUILDING CONSULTANTS, INC.
 P.O. Box 230, Valrico, FL 33595
 Phone No.: 813.659.9197
 FBPE Registry No. 9813

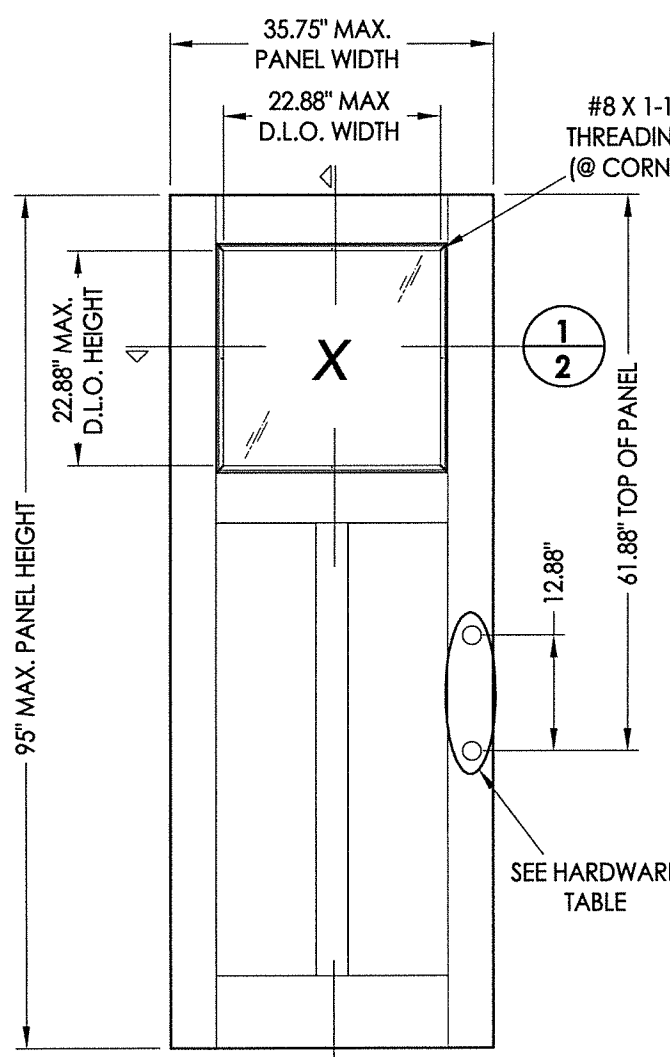
PRODUCT:	TRINITY GLASS INT'L
PART OR ASSEMBLY:	TYPICAL ELEVATION, DESIGN PRESSURES & GENERAL NOTES
DATE:	1/28/20
SCALE:	N.T.S.
DWG. BY:	TRJ
CHK. BY:	LFS
DRAWING NO.:	FL-25575.4
SHEET	1 OF 14

\\dc01\rwbc\Clients\Trinity Glass PERMANENTVA - Florida Product Approvals\FL - 25575\C. Drawings\FL - 25575\4.dwg

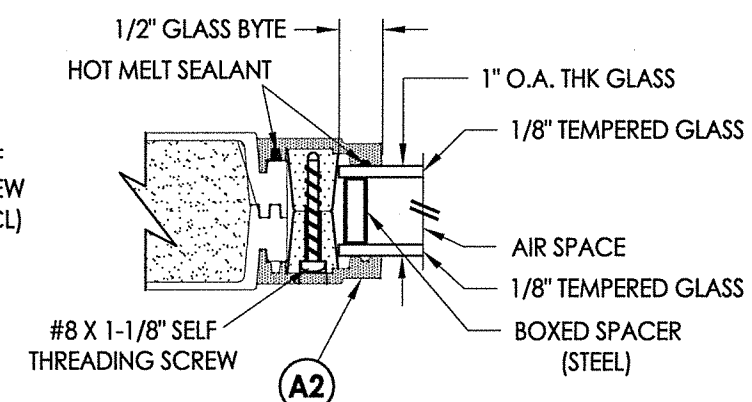
\\dc01\wbc\Clients\Trinity Glass PERMANENTA - Florida Product Approvals\FL - 25575\C. Drawings\FL 25575 (2020)\FL-25575-4.dwg



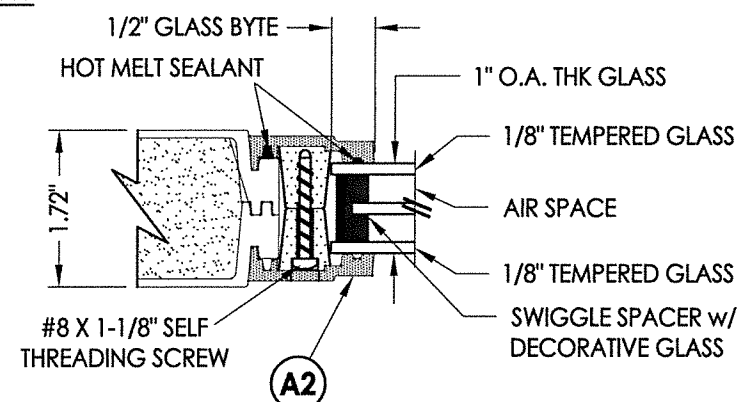
1
2 **HORIZONTAL CROSS SECTION**



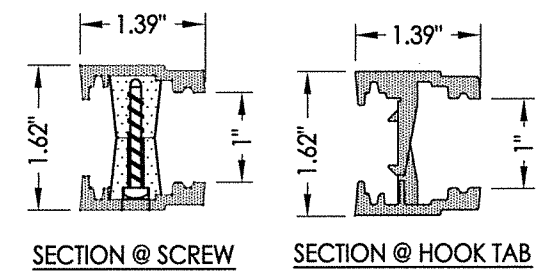
40 **GLAZED DOOR PANEL**
LIGHHOUSE



G1 **GLAZING DETAIL**

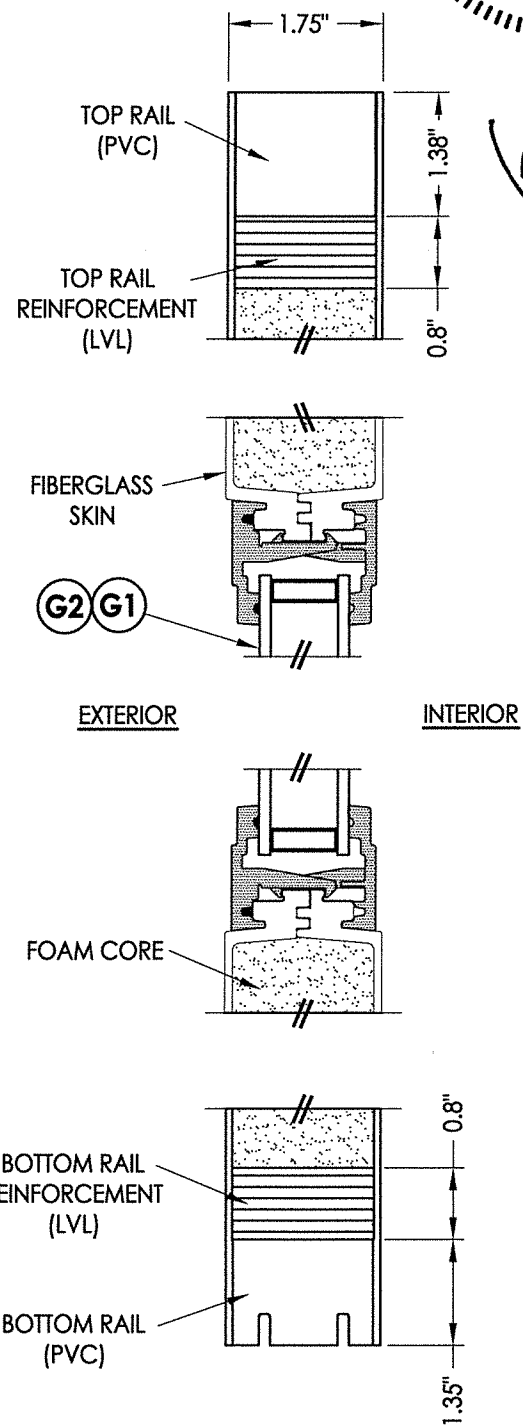


G2 **GLAZING DETAIL**
DECORATIVE GLASS

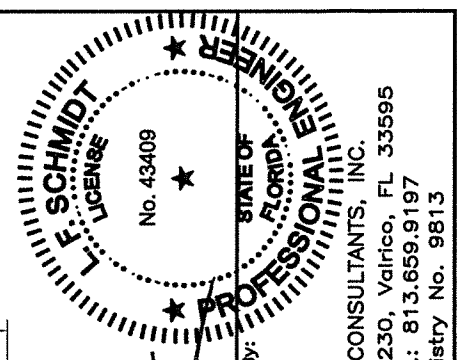


A2 **FLUSH GLAZING FRAME**
FIBERGLASS

HARDWARE CHART	
MANUFACTURER	MODEL
KWIKSET	KNOB: SIGNATURE SERIES
	DEADBOLT: SIGNATURE SERIES (980)
SCHLAGE	KNOB: F SERIES
	DEADBOLT: B60 SERIES



2
2 **VERTICAL CROSS SECTION**

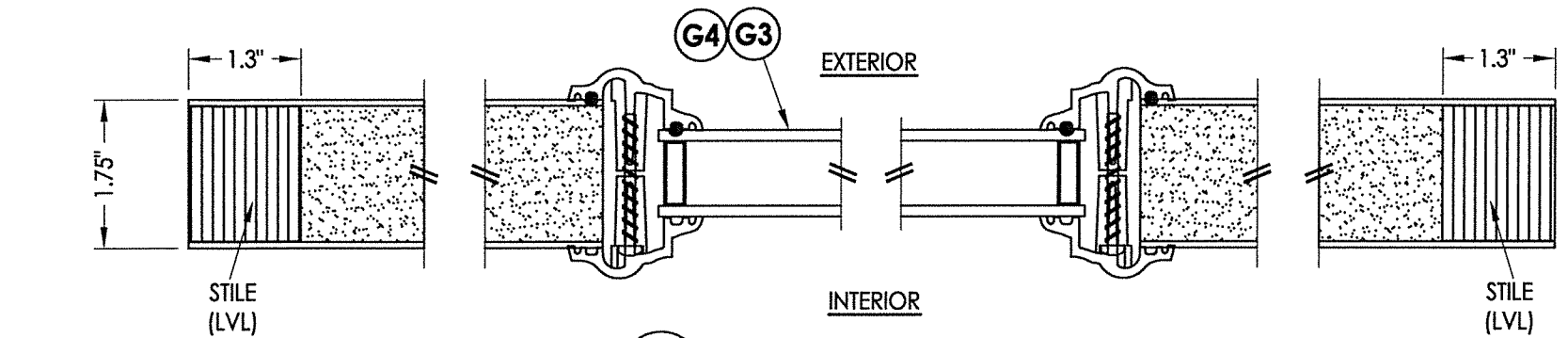


August 11, 2020
 Documents Prepared By:
 Lyndon F. Schmidt
 P.E. No. 43409
 R.W. BUILDING CONSULTANTS, INC.
 P.O. Box 230, Valrico, FL 33595
 Phone No.: 813.659.9197
 FBPE Registry No. 9813

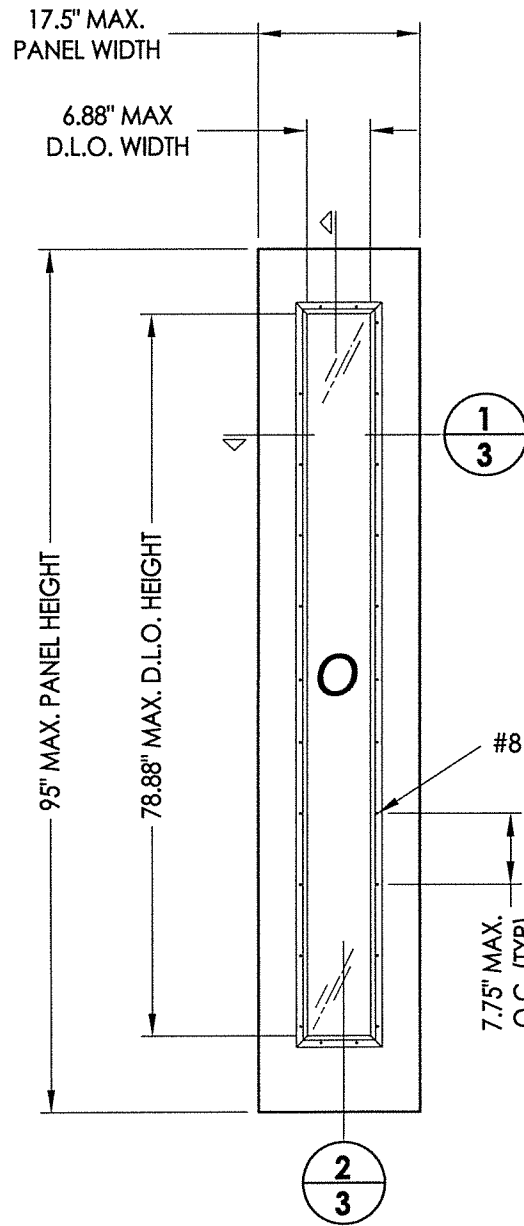
PRODUCT:	TRINITY GLASS INT'L
PART OR ASSEMBLY:	DOOR PANEL DETAILS
DATE:	1/28/20
SCALE:	N.T.S.
DWG. BY:	TRJ
CHK. BY:	LFS
DRAWING NO.:	FL-25575.4
SHEET	2 OF 14

© 2020 R.W. BUILDING CONSULTANTS INC.

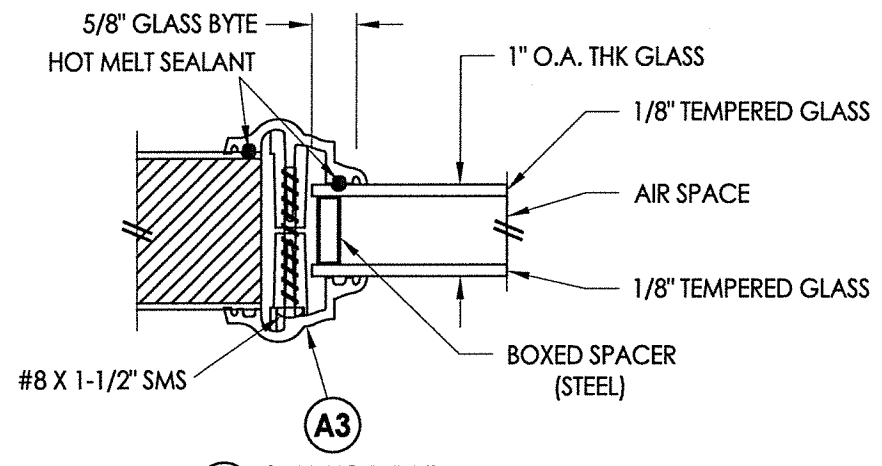
\\dc01\pwb\clients\Trinity Glass PERMANENTVA - Florida Product Approvals\FL - 25575\C. Drawings\FL 25575 (2020)\FL-25575.4.dwg



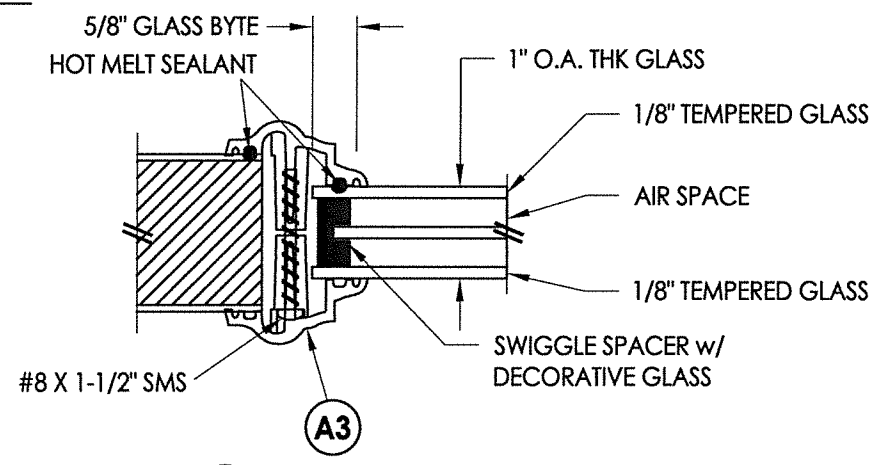
1
3 **HORIZONTAL CROSS SECTION**



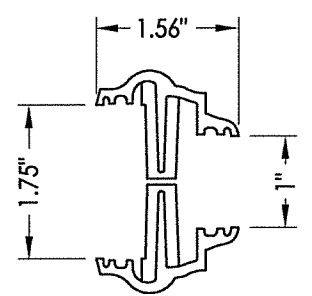
50 **SIDELITE PANEL**
LIGHHOUSE



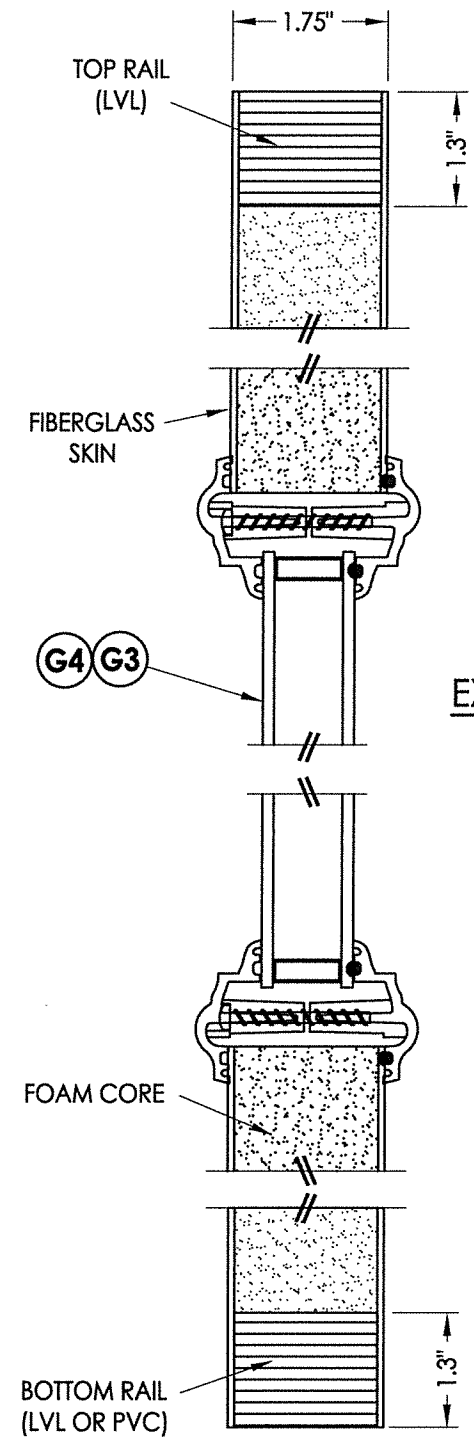
G3 **GLAZING DETAIL**



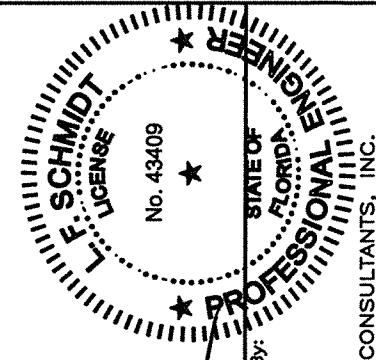
G4 **GLAZING DETAIL**
DECORATIVE GLASS



A3 **LIP LITE FRAME**
HP POLYPROPYLENE



2
3 **VERTICAL CROSS SECTION**

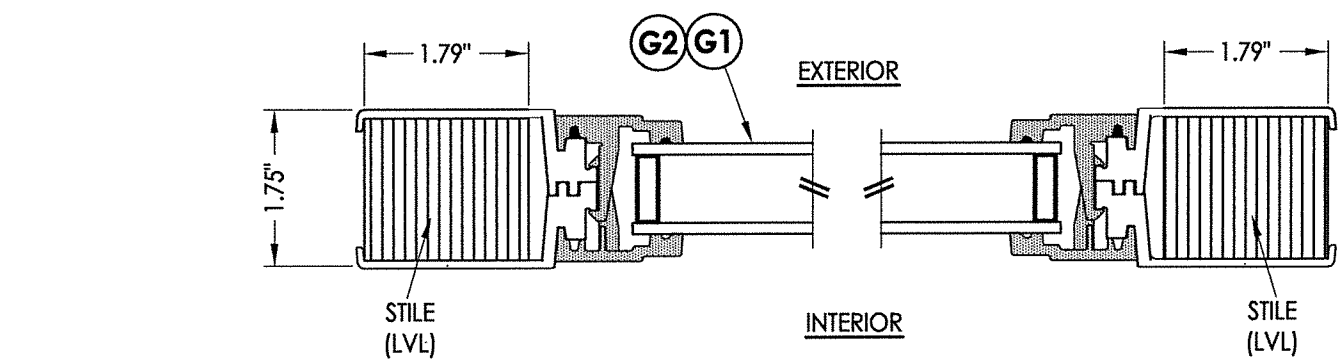


August 11, 2020
 Documents Prepared By:
 Lyndon F. Schmidt
 P.E. No. 43409
 R.W. BUILDING CONSULTANTS, INC.
 P.O. Box 230, Valrico, FL 33595
 Phone No.: 813.659.9197
 FBPE Registry No. 9813

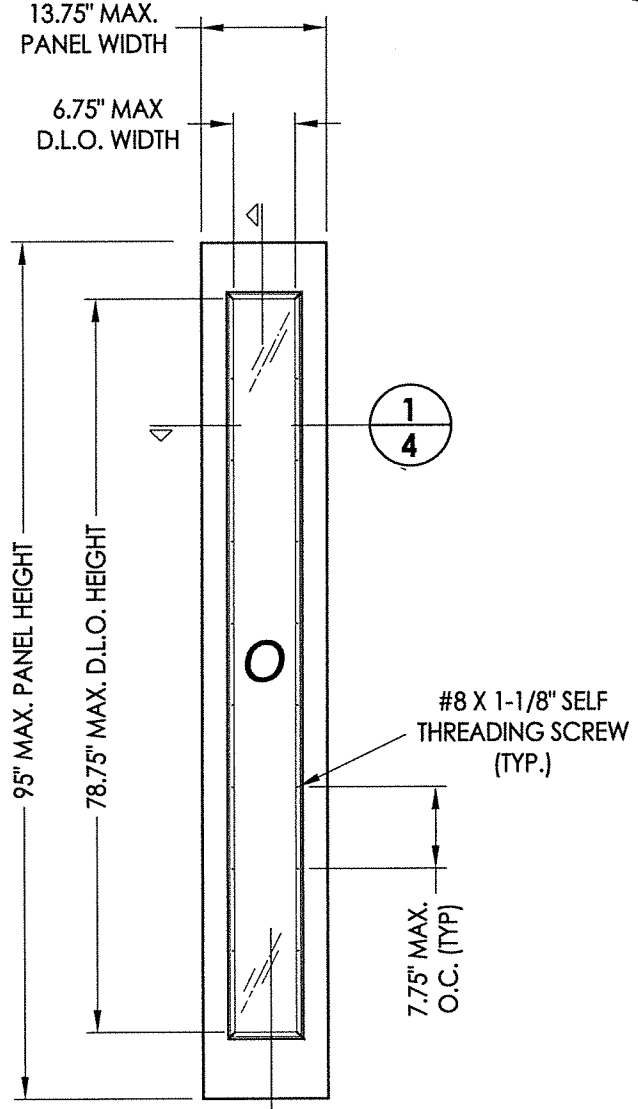
PRODUCT:	TRINITY GLASS INT'L
PART OR ASSEMBLY:	SIDELITE PANEL DETAILS (LIP LITE FRAME)
DATE:	1/28/20
SCALE:	N.T.S.
DWG. BY:	TRJ
CHK. BY:	LFS
DRAWING NO.:	FL-25575.4
SHEET	3 OF 14

© 2020 R.W. BUILDING CONSULTANTS INC.

\\dc01\wbc\Clients\Trinity Glass PERMANENTVA - Florida Product Approvals\FL - 25575\C. Drawings\FL 25575 (2020)\FL-25575.4.dwg



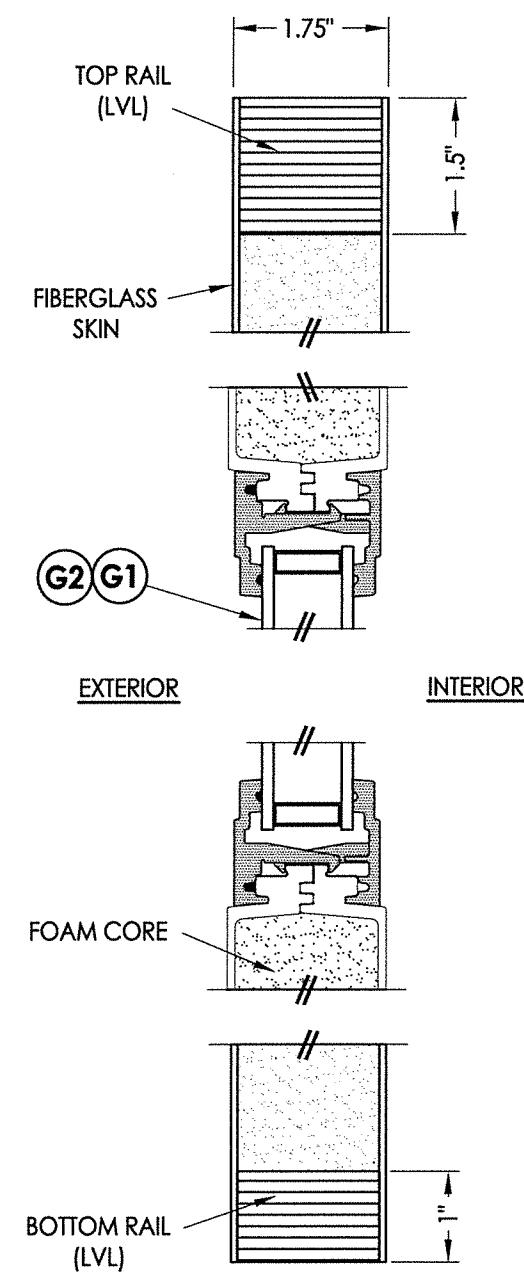
1
4 HORIZONTAL CROSS SECTION



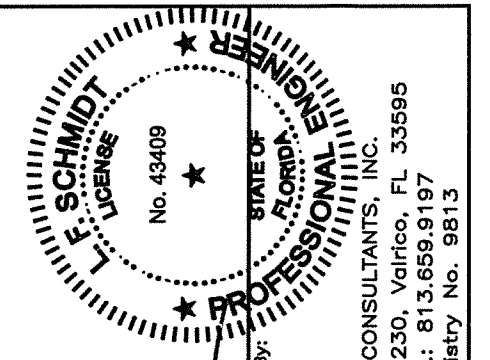
2
4 **60** SIDELITE PANEL
LIGHHOUSE

THE FLUSH GLAZED SIDELITE IS LIMITED TO A MAXIMUM DESIGN PRESSURE OF ±50 PSF WHEN USED IN AN OUTSWING CONFIGURATION

DOOR SKIN: 0.079" MIN. THK. FIBERGLASS
CORE MATERIAL: POLYURETHANE FOAM

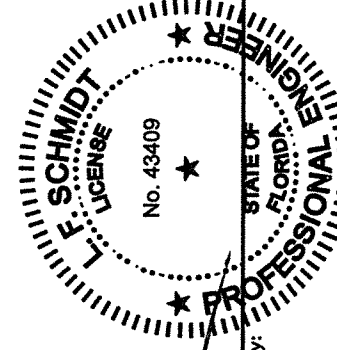
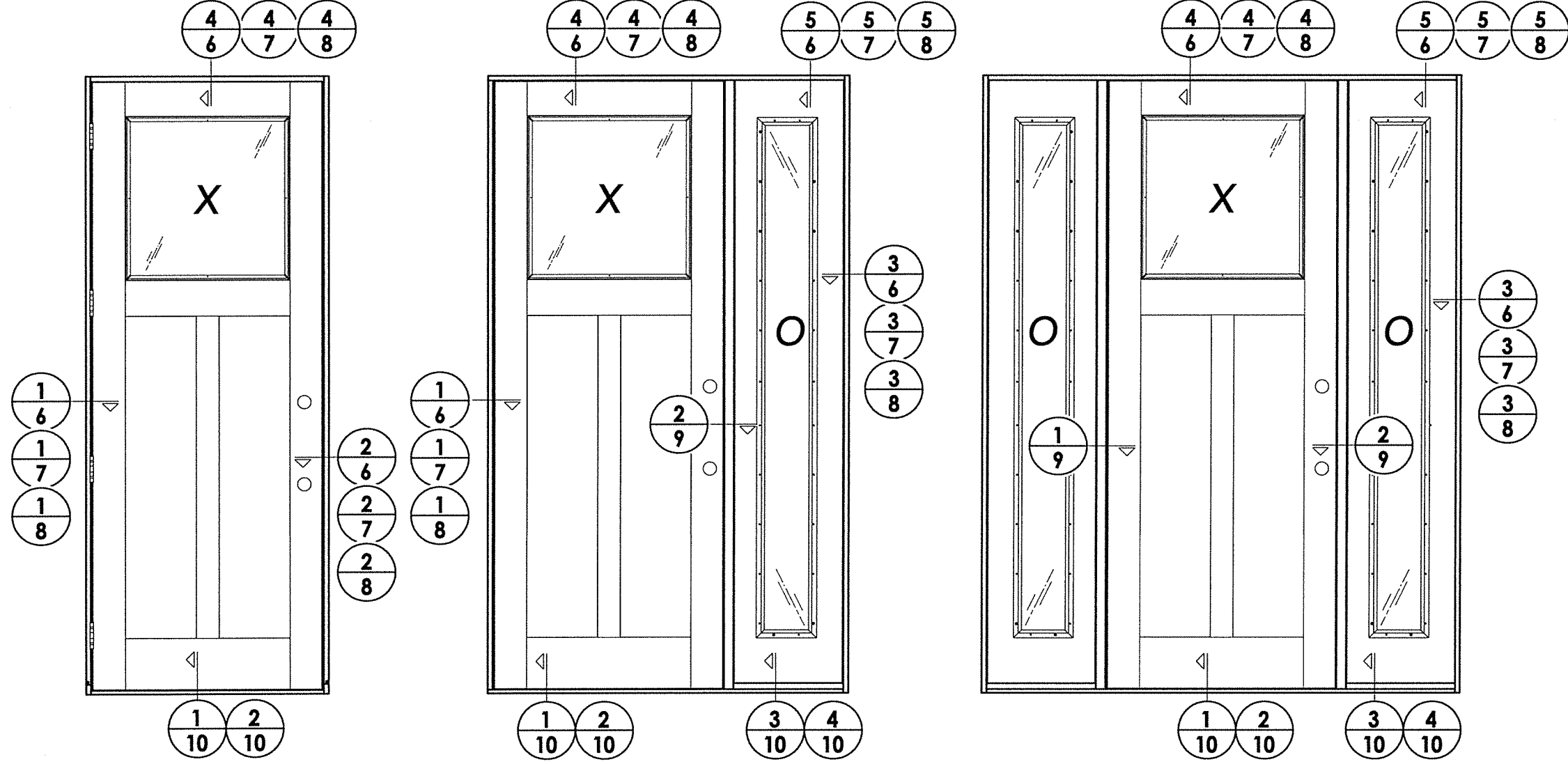


2
4 VERTICAL CROSS SECTION



August 11, 2020
 Documents Prepared By:
 Lyndon F. Schmidt
 P.E. No. 43409
 R.W. BUILDING CONSULTANTS, INC.
 P.O. Box 230, Valrico, FL 33595
 Phone No.: 813.659.9197
 FBPE Registry No. 9813

PRODUCT:	TRINITY GLASS INT'L	
PART OR ASSEMBLY:	SIDELITE PANEL DETAILS (FLUSH GLAZING FRAME)	
NO.	DATE	BY
1	8/11/20	UPDATE TO 7th ED. (2020) FBC
REVISIONS		
DATE:	1/28/20	
SCALE:	N.T.S.	
DWG. BY:	TRJ	
CHK. BY:	LFS	
DRAWING NO.:	FL-25575.4	
SHEET	4 OF 14	



August 11, 2020
 Documents Prepared By:
 Lyndon F. Schmidt
 P.E. No. 43409

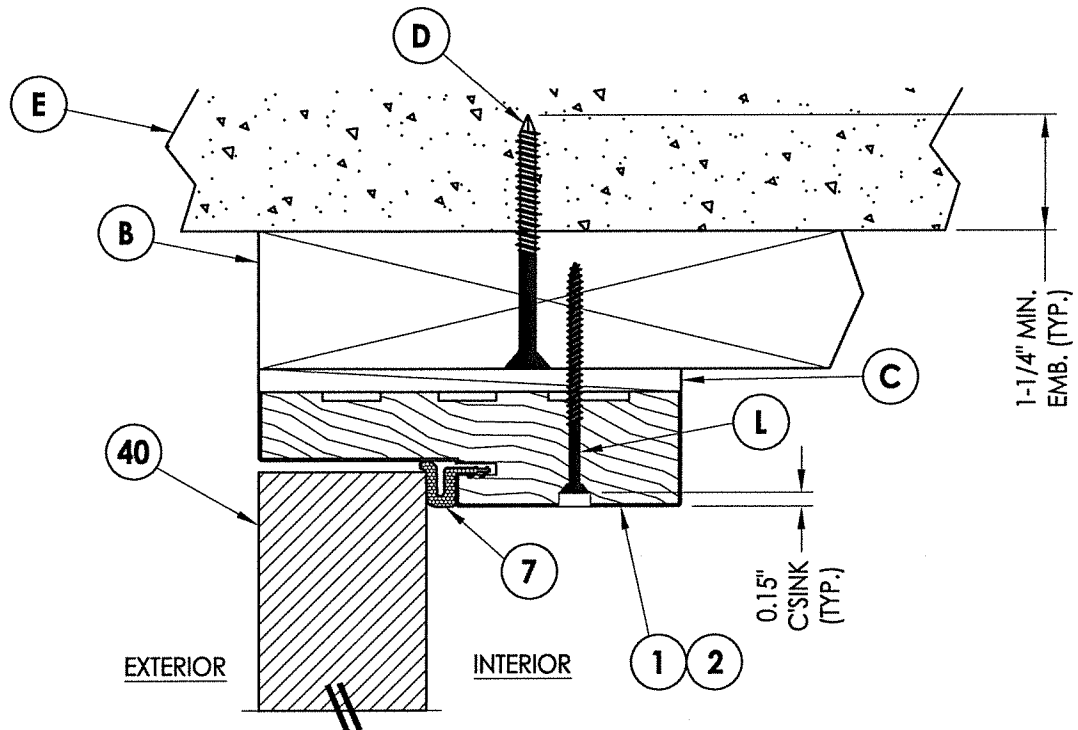
R.W.
 BUILDING CONSULTANTS, INC.
 P.O. Box 230, Valrico, FL 33595
 Phone No.: 813.659.9197
 FBPE Registry No. 9813

PRODUCT: TRINITY GLASS INT'L
 PART OR ASSEMBLY: ELEVATIONS

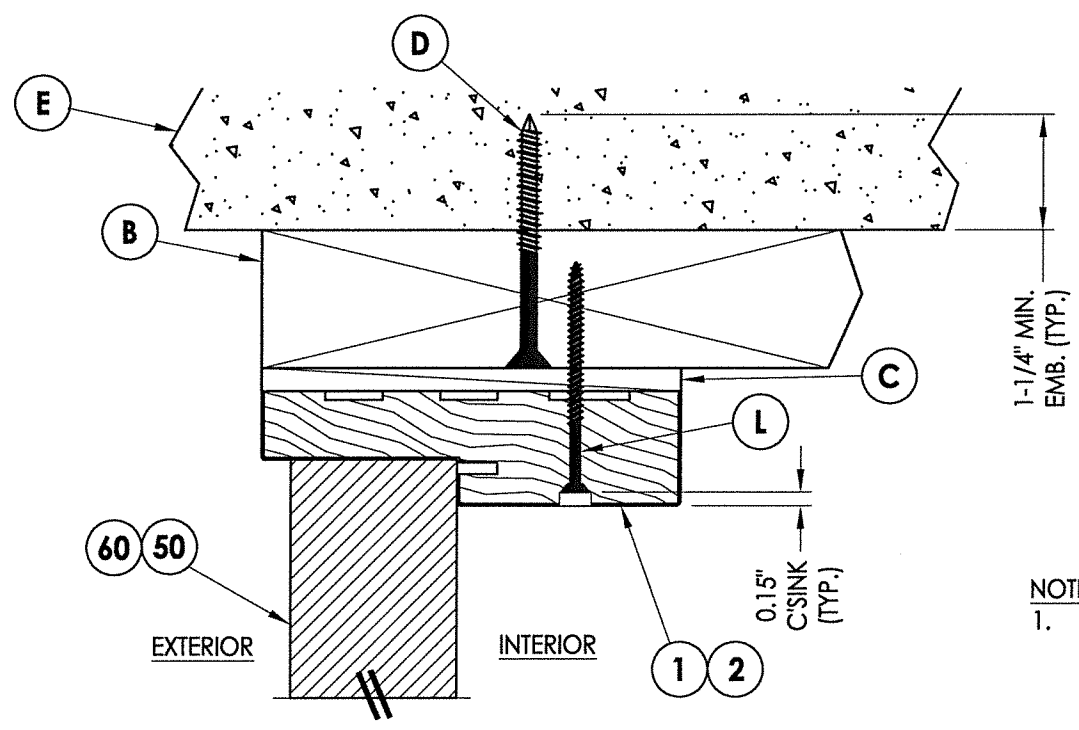
NO.	DATE	REVISIONS
1	8/11/20	UPDATE TO 7th ED. (2020) FBC

DATE: 1/28/20
 SCALE: N.T.S.
 DWG. BY: TRJ
 CHK. BY: LFS
 DRAWING NO.: FL-25575.4
 SHEET 5 OF 14

\\dc01\pwb\clients\Trinity Glass PERMANENTVA - Florida Product Approvals\FL - 25575\C. Drawings\FL - 25575.4.dwg

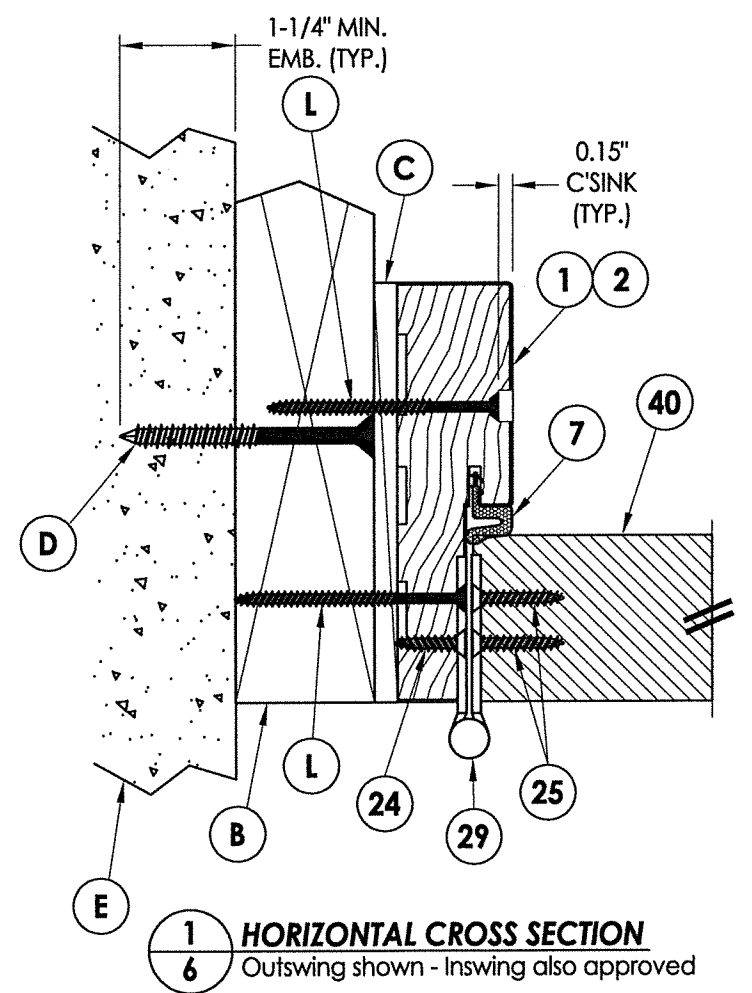


4 VERTICAL CROSS SECTION
6 Outswing shown - Inswing also approved

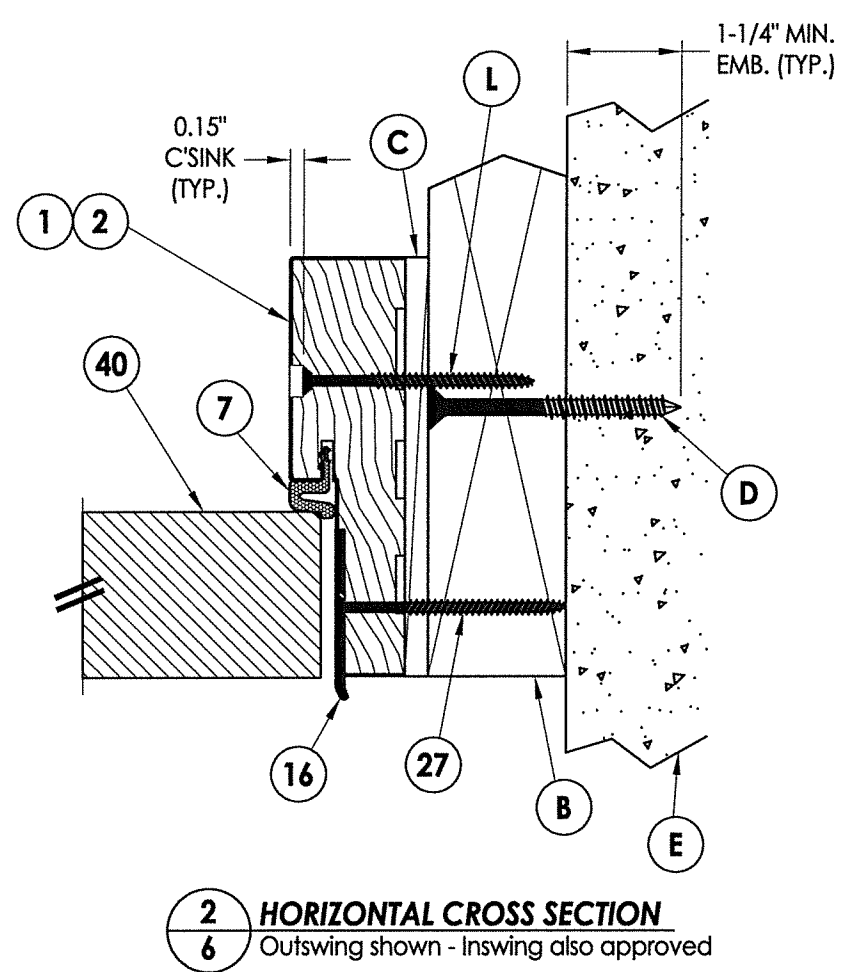


5 VERTICAL CROSS SECTION
6 Outswing shown - Inswing also approved

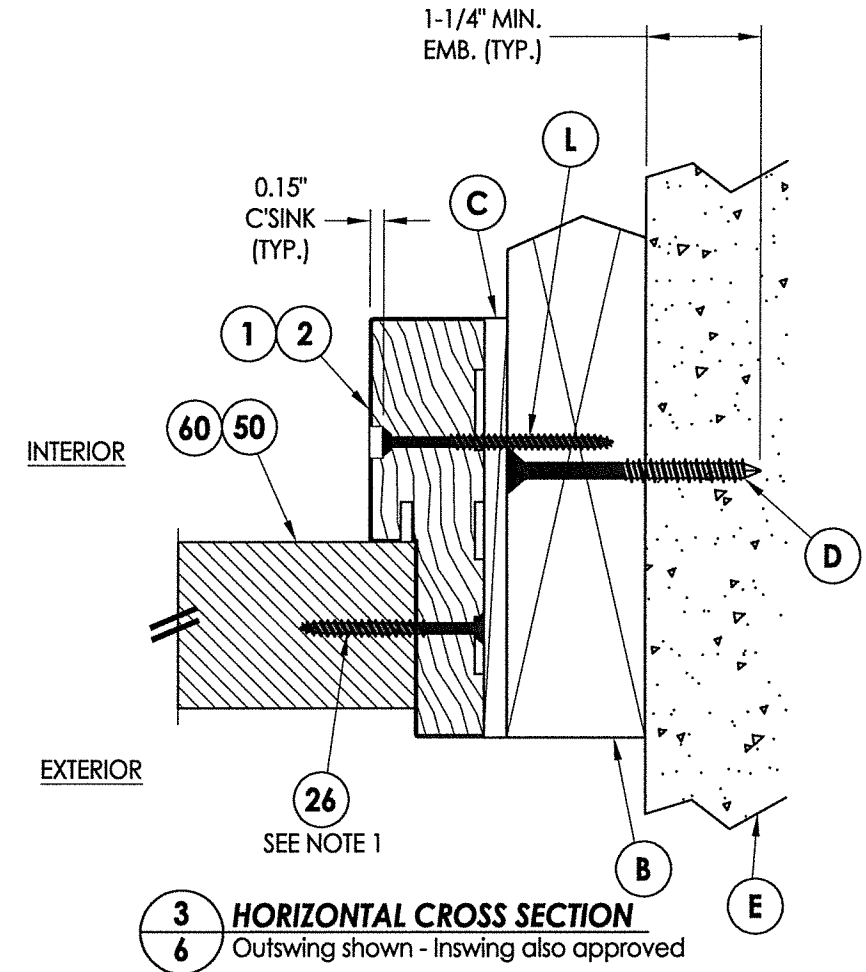
NOTE:
1. Item #26 located 6" from each end plus 2 more equally spaced (4 total).



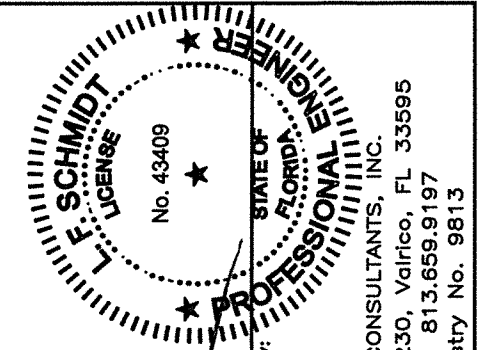
1 HORIZONTAL CROSS SECTION
6 Outswing shown - Inswing also approved



2 HORIZONTAL CROSS SECTION
6 Outswing shown - Inswing also approved

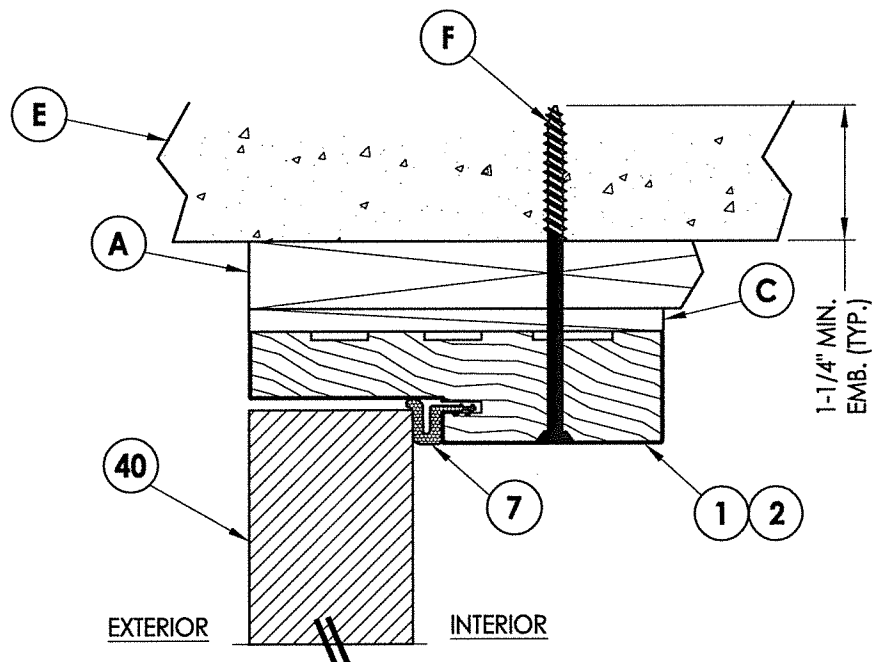


3 HORIZONTAL CROSS SECTION
6 Outswing shown - Inswing also approved

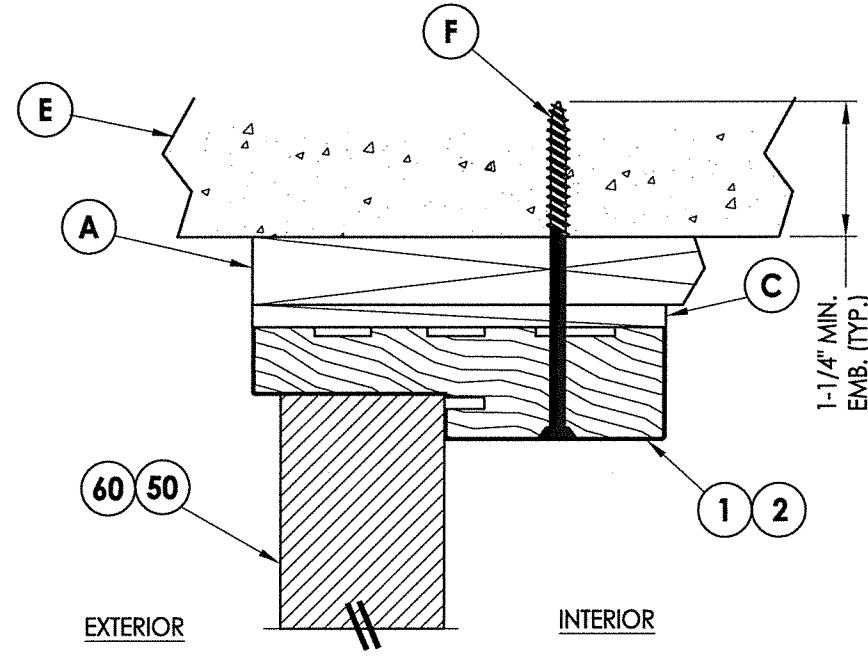


August 11, 2020
Documents Prepared By:
Lyndon F. Schmidt
P.E. No. 43409
R.W. BUILDING CONSULTANTS, INC.
P.O. Box 230, Vairico, FL 33595
Phone No.: 813.659.9197
FBPE Registry No. 9813

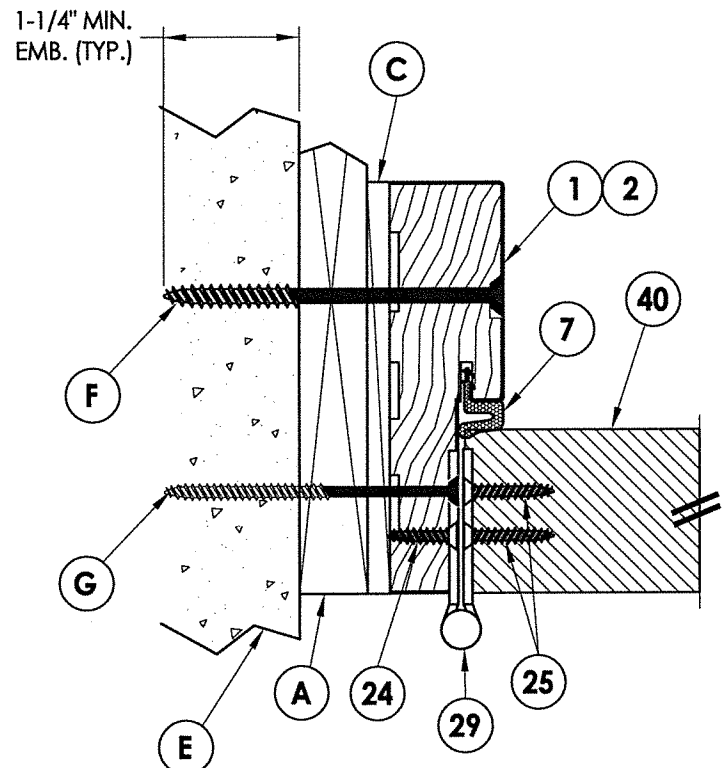
PRODUCT: TRINITY GLASS INT'L	
PART OR ASSEMBLY: HORIZONTAL & VERTICAL CROSS SECTIONS (2X BUCK)	
NO.	DATE
1	8/11/20
UPDATE TO 7th ED. (2020) FBC	
DAC	BY
REVISIONS	
DATE: 1/28/20	
SCALE: N.T.S.	
DWG. BY: TRJ	
CHK. BY: LFS	
DRAWING NO.: FL-25575.4	
SHEET 6 OF 14	



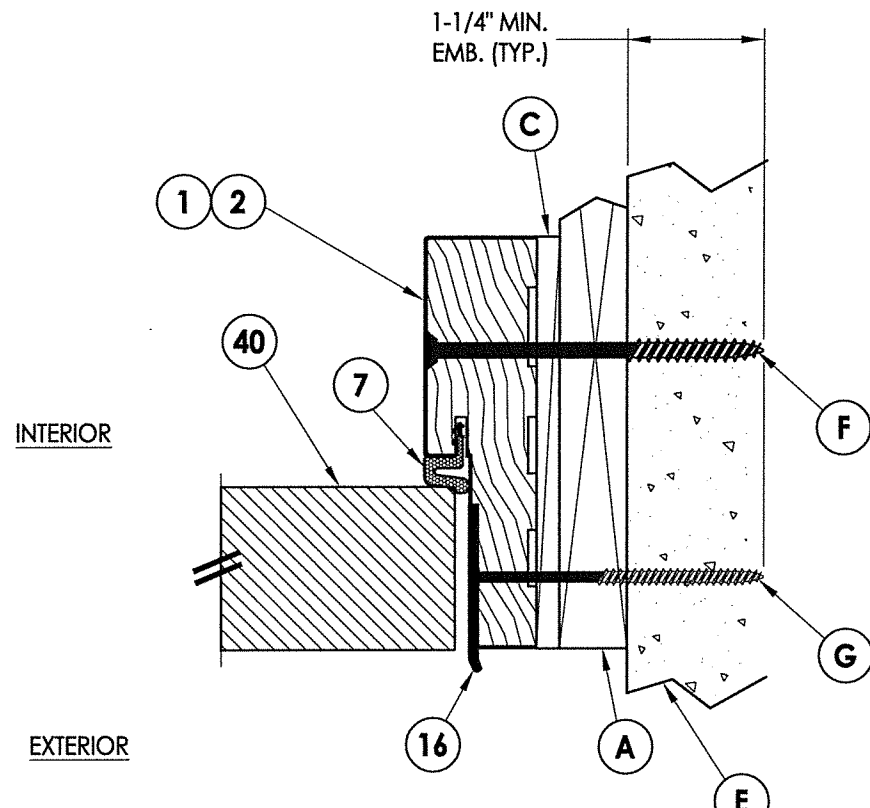
4
7 **VERTICAL CROSS SECTION**
Outswing shown - Inswing also approved



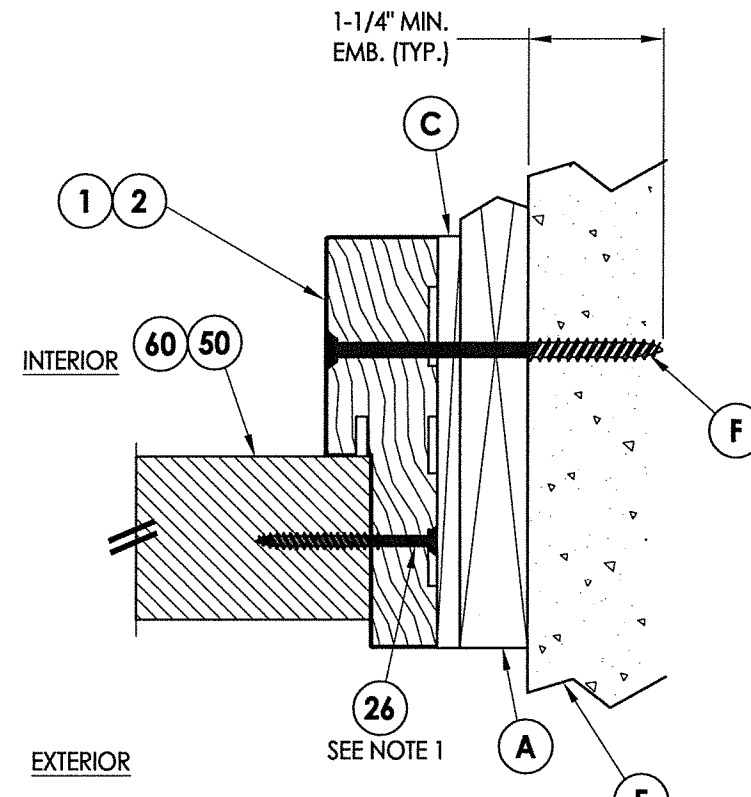
5
7 **VERTICAL CROSS SECTION**
Outswing shown - Inswing also approved



1
7 **HORIZONTAL CROSS SECTION**
Outswing shown - Inswing also approved

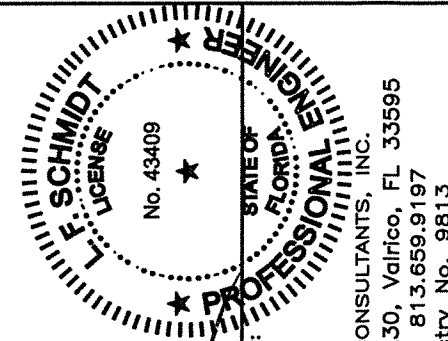


2
7 **HORIZONTAL CROSS SECTION**
Outswing shown - Inswing also approved



3
7 **HORIZONTAL CROSS SECTION**
Outswing shown - Inswing also approved

NOTE:
1. Item #26 located 6" from each end plus 2 more equally spaced (4 total).

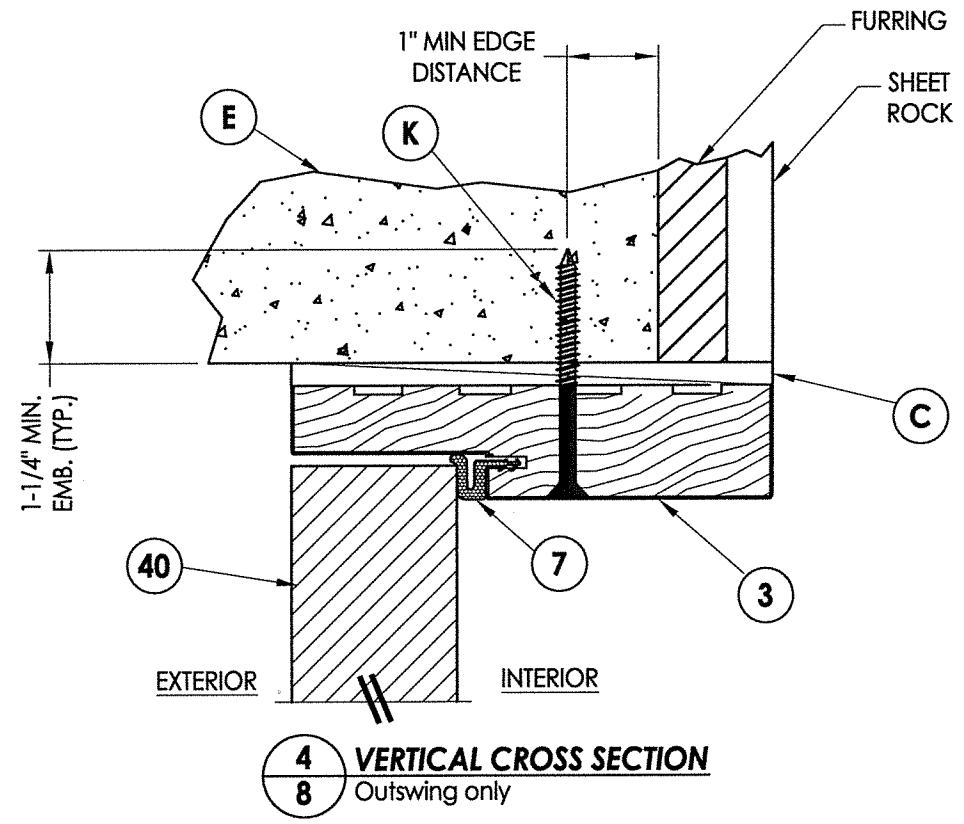


August 11, 2020
Documents Prepared By:
Lyndon F. Schmidt
P.E. No. 43409

R.W.
BUILDING CONSULTANTS, INC.
P.O. Box 230, Valrico, FL 33595
Phone No.: 813.659.9197
FBPE Registry No. 9813

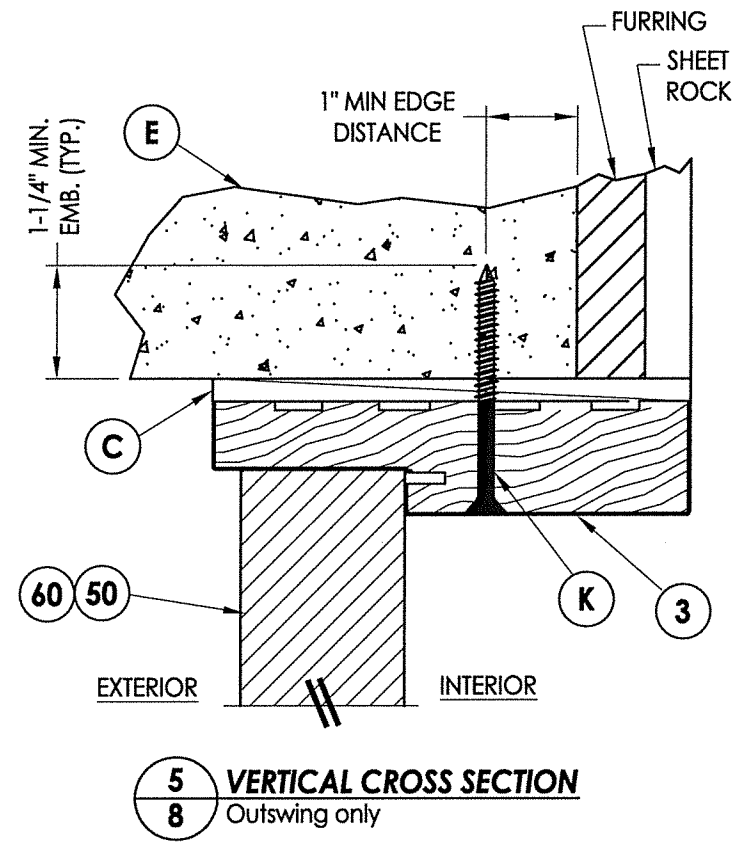
PRODUCT: TRINITY GLASS INT'L		PART OR ASSEMBLY: HORIZONTAL & VERTICAL CROSS SECTIONS (1X BUCK)	
NO.	DATE	BY	REVISIONS
1	8/11/20	DAC	UPDATE TO 7th ED. (2020) FBC
DATE: 1/28/20		SCALE: N.T.S.	
DWG. BY: TRJ		CHK. BY: LFS	
DRAWING NO.: FL-25575.4		SHEET 7 OF 14	

\\dc01\pwb\clients\Trinity Glass PERMANENTVA - Florida Product Approvals\FL - 25575\C. Drawings\FL 25575 (2020)\FL-25575-4.dwg

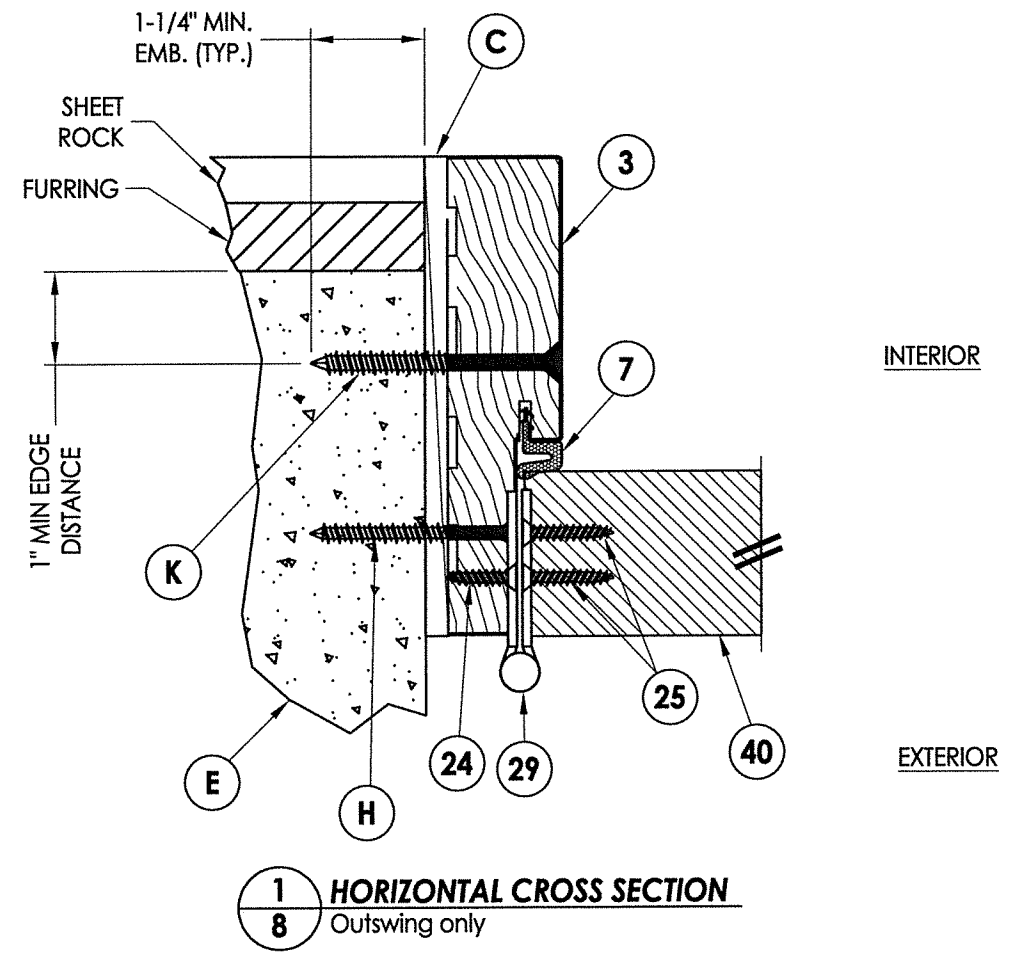


4 VERTICAL CROSS SECTION
8 Outswing only

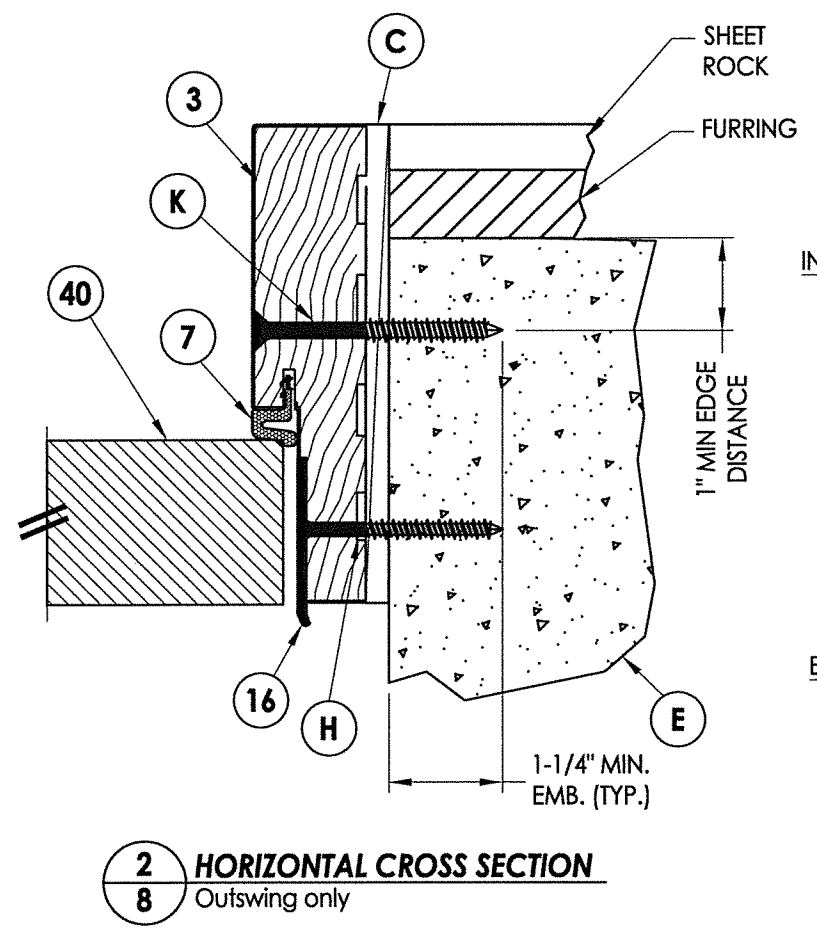
NOTE:
1. Item #26 located 6" from each end plus 2 more equally spaced (4 total).



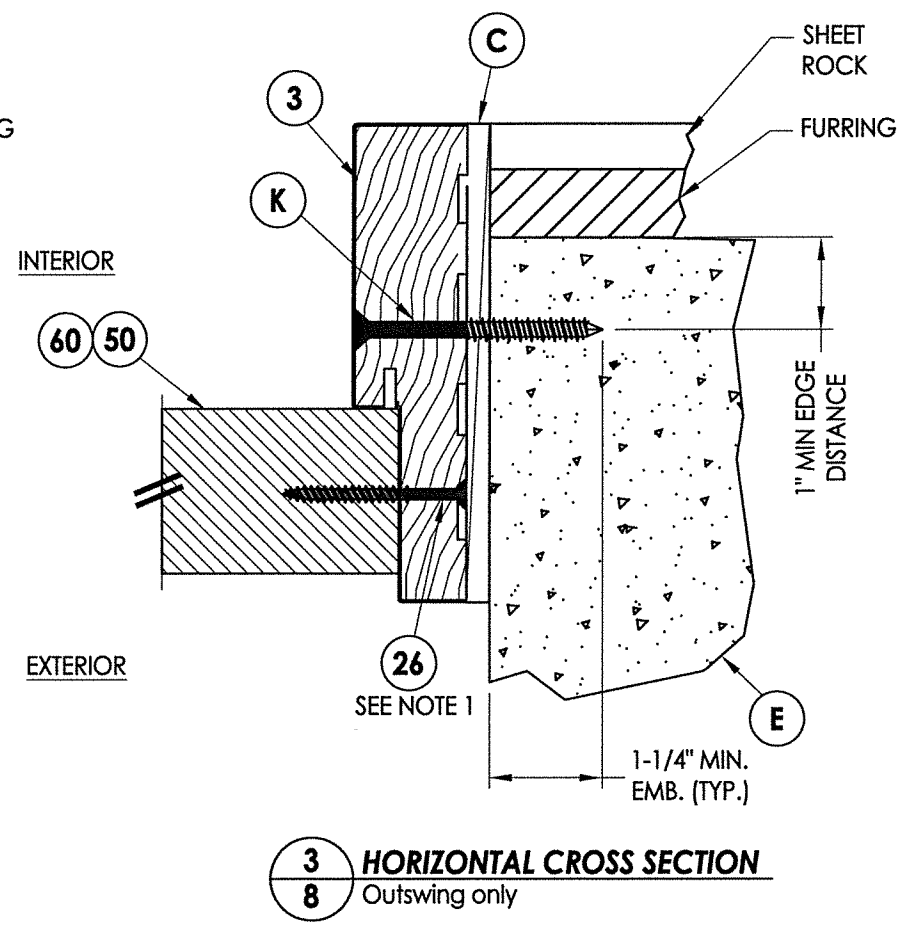
5 VERTICAL CROSS SECTION
8 Outswing only



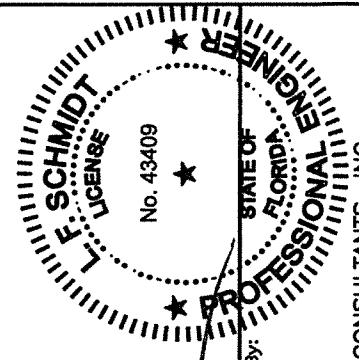
1 HORIZONTAL CROSS SECTION
8 Outswing only



2 HORIZONTAL CROSS SECTION
8 Outswing only



3 HORIZONTAL CROSS SECTION
8 Outswing only



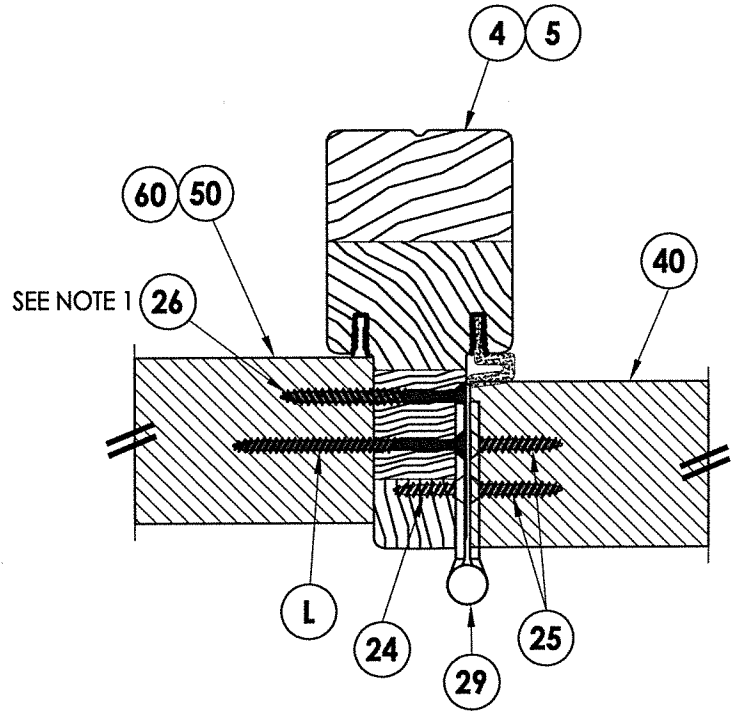
August 11, 2020
Documents Prepared By:
Lyndon F. Schmidt
P.E. No. 43409

RW
BUILDING CONSULTANTS, INC.
P.O. Box 230, Valrico, FL 33595
Phone No.: 813.659.9197
FBPE Registry No. 9813

PRODUCT:		TRINITY GLASS INT'L	
PART OR ASSEMBLY:		HORIZONTAL & VERTICAL CROSS SECTIONS (DIRECT TO MASONRY)	
NO.	DATE	BY	REVISIONS
1	8/11/20	FBC	UPDATE TO 7th ED. (2020)
DATE:		1/28/20	
SCALE:		N.T.S.	
DWG. BY:		TRJ	
CHK. BY:		LFS	
DRAWING NO.:		FL-25575.4	
SHEET		8 OF 14	

NOTE:

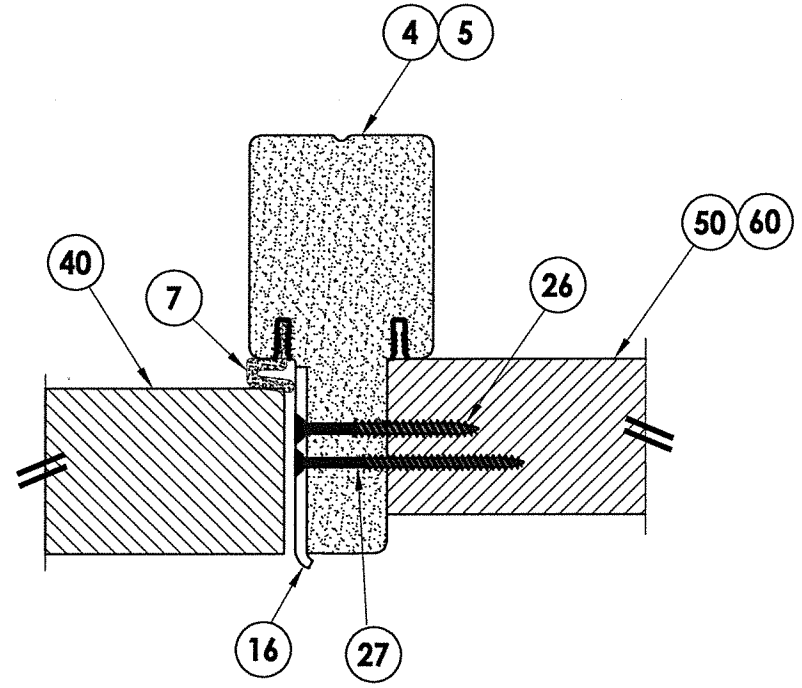
- Item #26 located 6" from each end plus 2 more equally spaced (4 total).



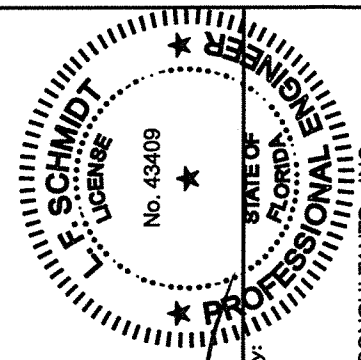
1 HORIZONTAL CROSS SECTION
9 Outswing shown - Inswing also approved

INTERIOR

EXTERIOR



2 HORIZONTAL CROSS SECTION
9 Outswing shown - Inswing also approved



August 11, 2020
 Documents Prepared By:
 Lyndon F. Schmidt
 P.E. No. 43409

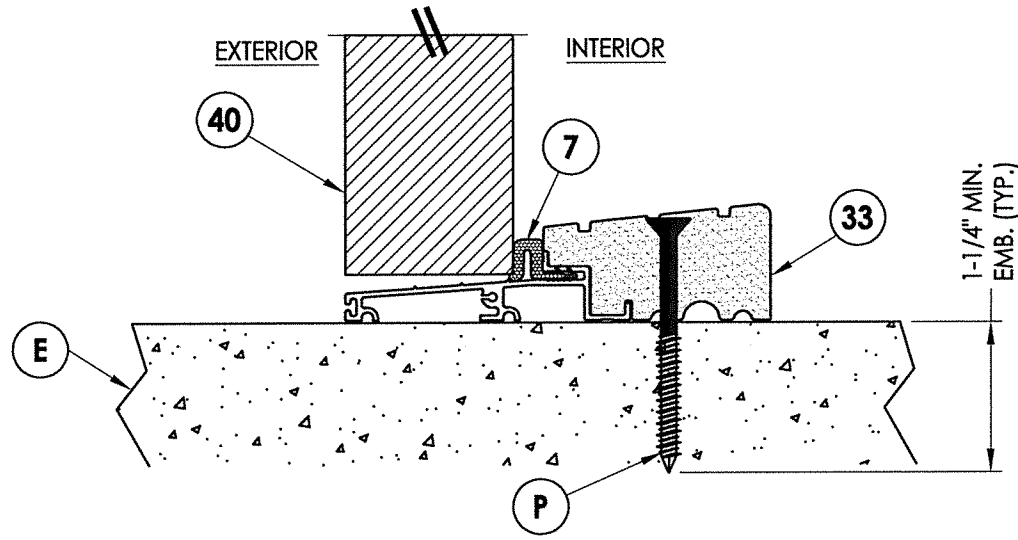
RW BUILDING CONSULTANTS, INC.
 P.O. Box 230, Valrico, FL 33595
 Phone No.: 813.659.9197
 FBPE Registry No. 9813

PRODUCT: TRINITY GLASS INT'L
 PART OR ASSEMBLY: HORIZONTAL CROSS SECTIONS

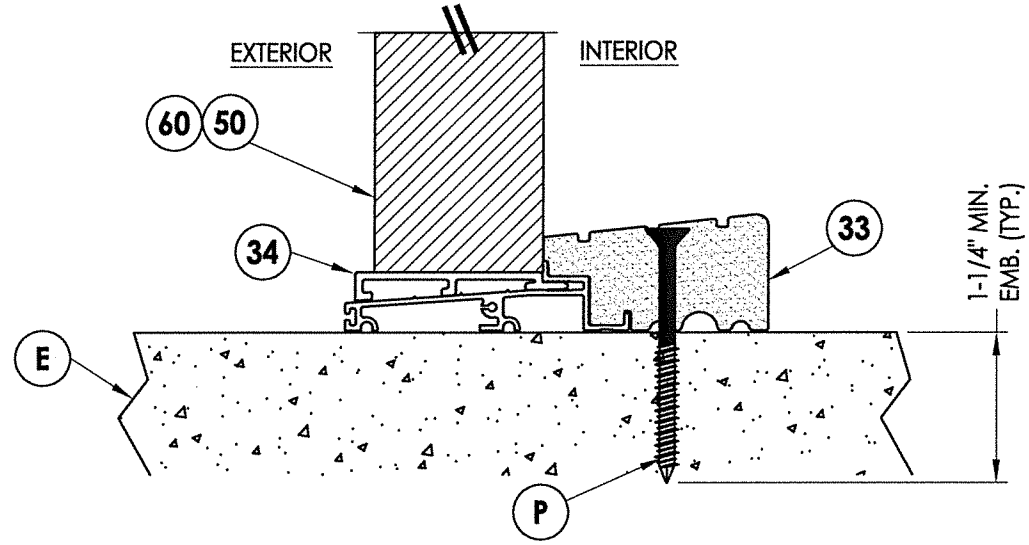
NO.	DATE	BY
1	8/11/20	DAC
		FBC

DATE: 1/28/20
 SCALE: N.T.S.
 DWG. BY: TRJ
 CHK. BY: LFS
 DRAWING NO.: FL-25575.4
 SHEET 9 OF 14

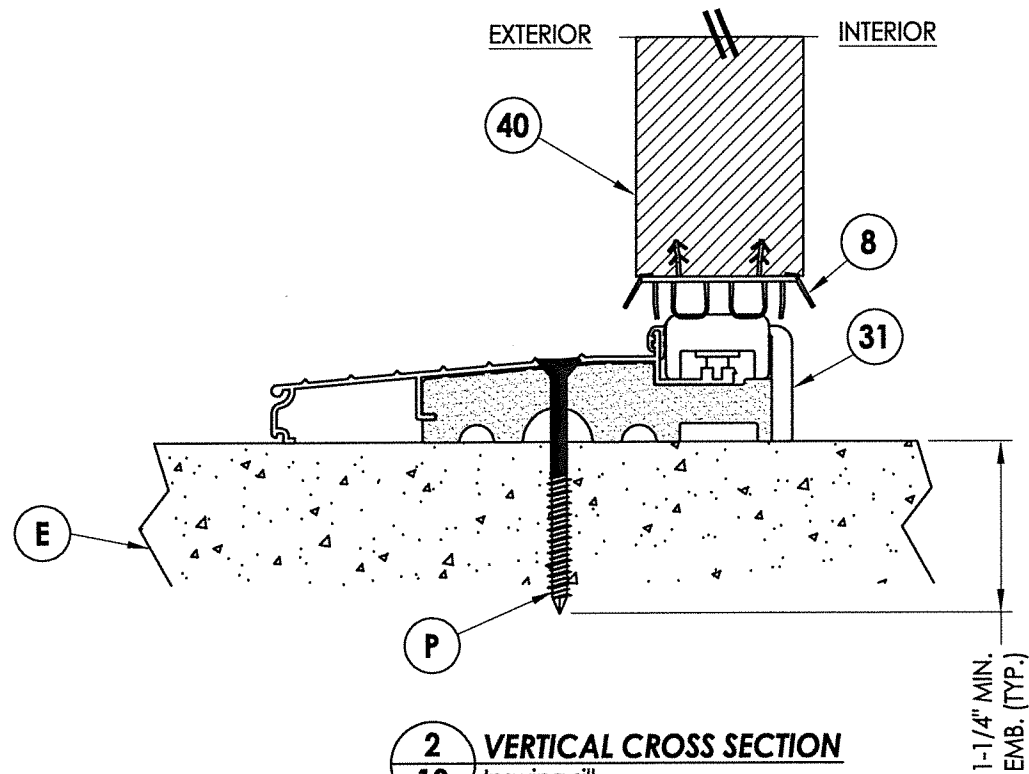
\\dc01\rbcc\clients\Trinity Glass PERMANENT\A - Florida Product Approvals\FL - 25575\C. Drawings\FL 25575 (2020)\FL-25575.4.dwg



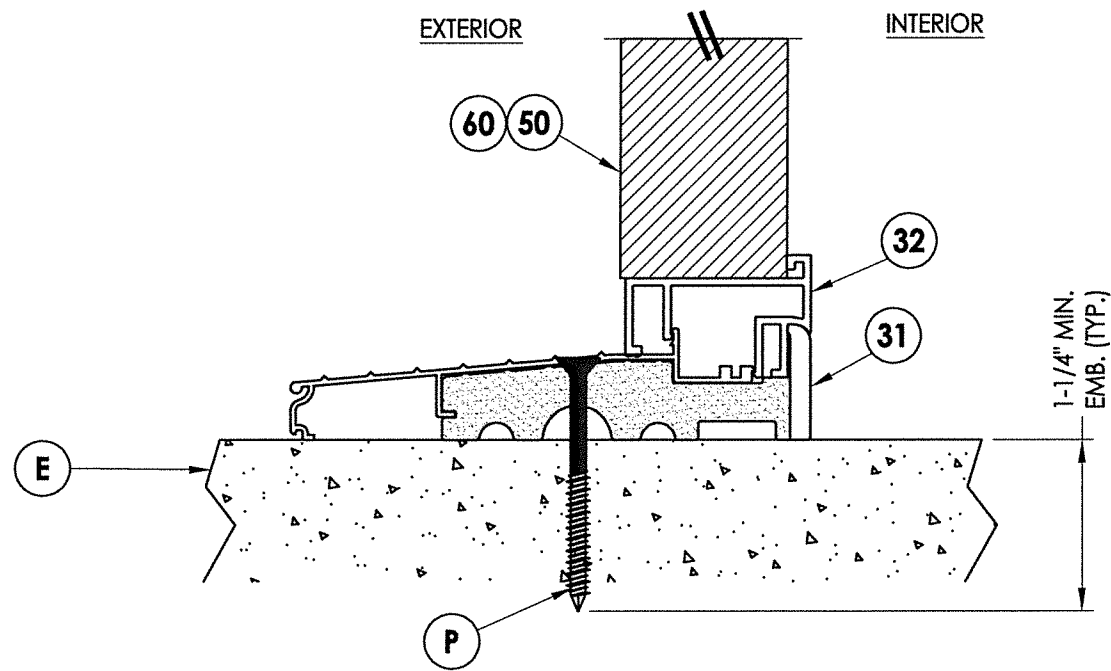
1 VERTICAL CROSS SECTION
10 Outswing sill - high dam



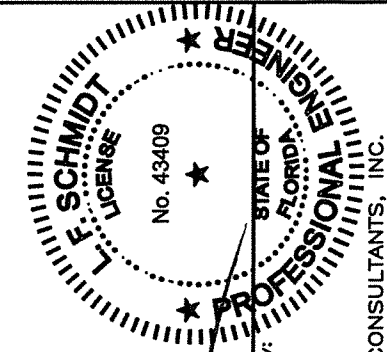
3 VERTICAL CROSS SECTION
10 Outswing sill - high dam



2 VERTICAL CROSS SECTION
10 Inswing sill



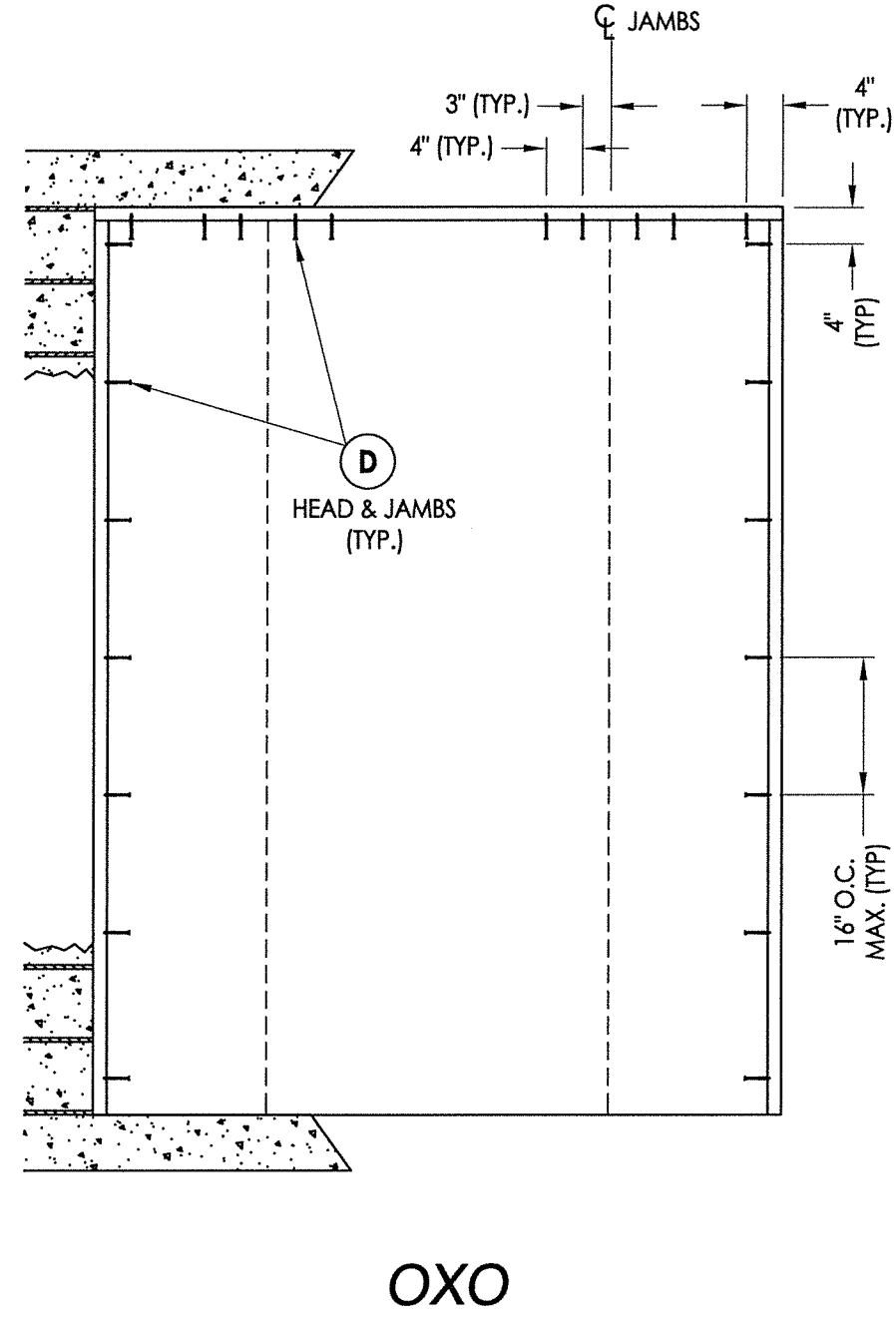
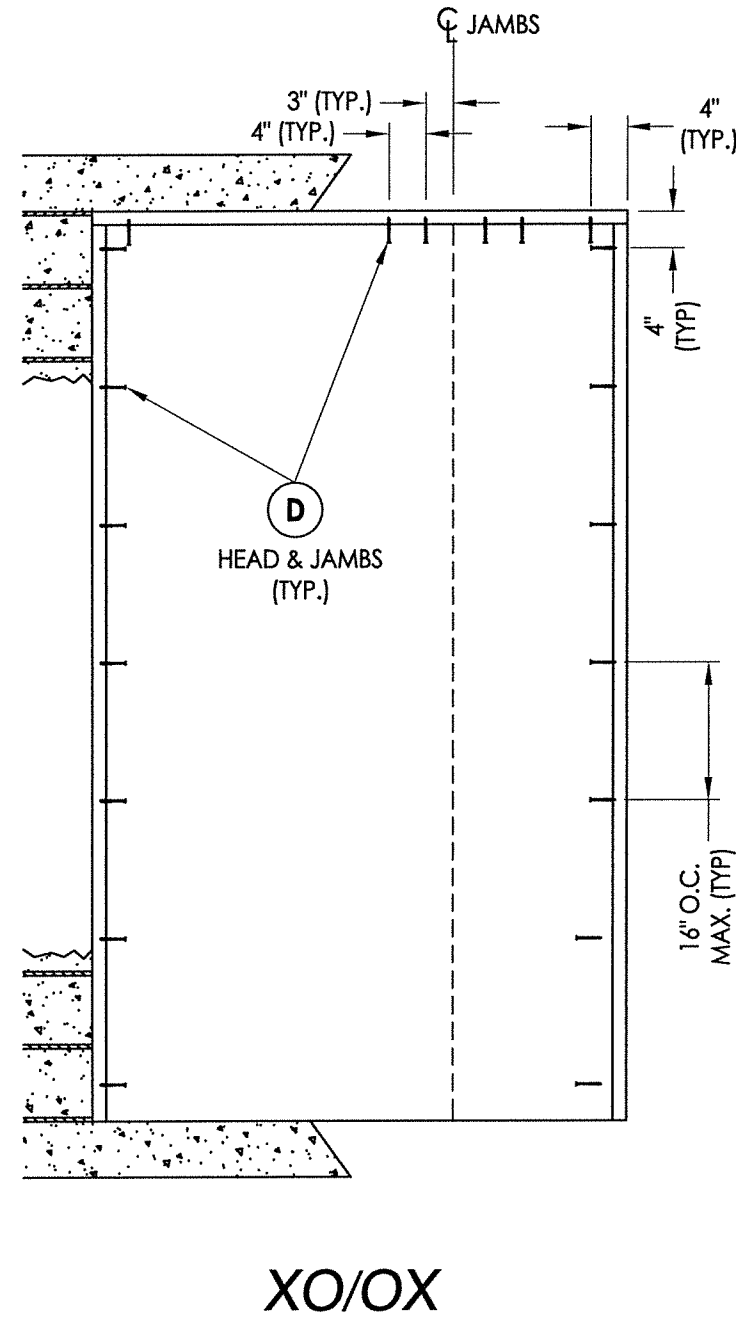
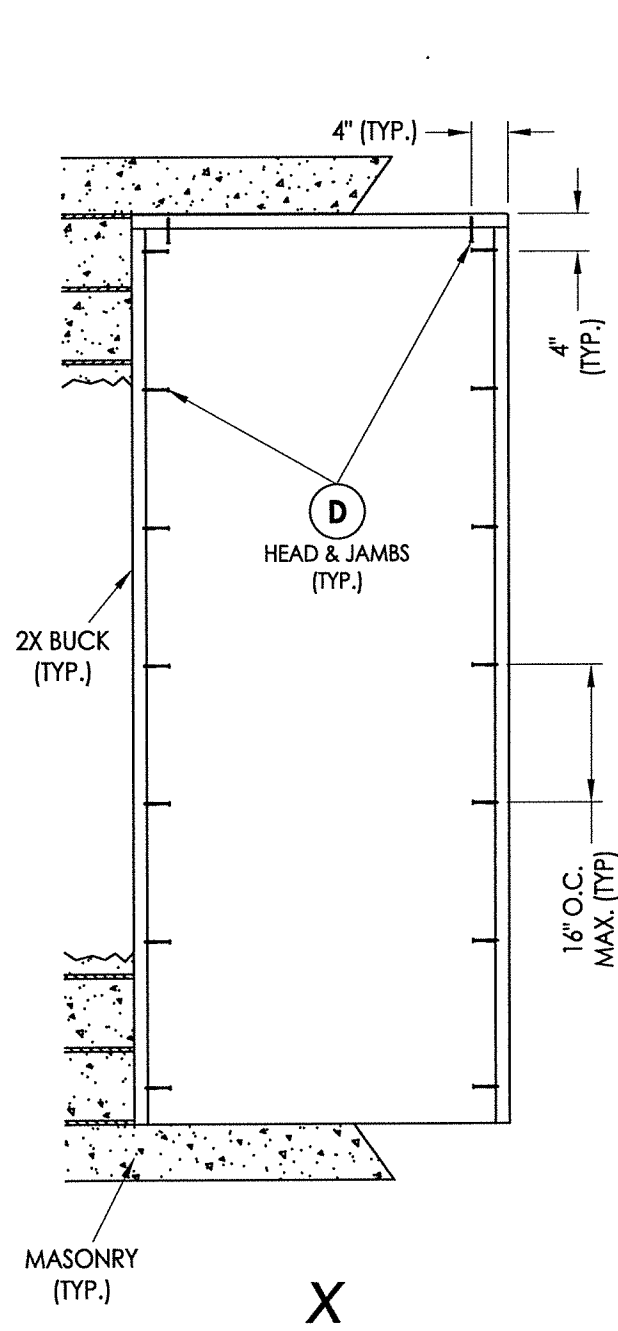
4 VERTICAL CROSS SECTION
10 Inswing sill



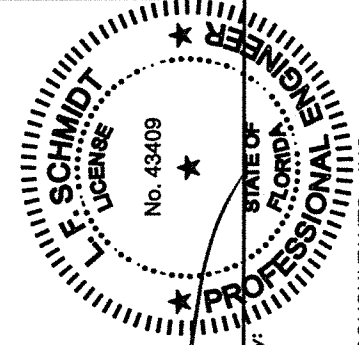
August 11, 2020
Documents Prepared By:
Lyndon F. Schmidt
P.E. No. 43409

R.W.
BUILDING CONSULTANTS, INC.
P.O. Box 230, Valrico, FL 33595
Phone No.: 813.659.9197
FBPE Registry No. 9813

PRODUCT:	TRINITY GLASS INT'L	
PART OR ASSEMBLY:	VERTICAL CROSS SECTIONS	
NO.	DATE	BY
1	8/11/20	DAC
	UPDATE TO 7th ED. (2020)	FBC
REVISIONS		
DATE:	1/28/20	
SCALE:	N.T.S.	
DWG. BY:	TRJ	
CHK. BY:	LFS	
DRAWING NO.:	FL-25575.4	
SHEET	10 of 14	



2X BUCK ANCHORING



LFS

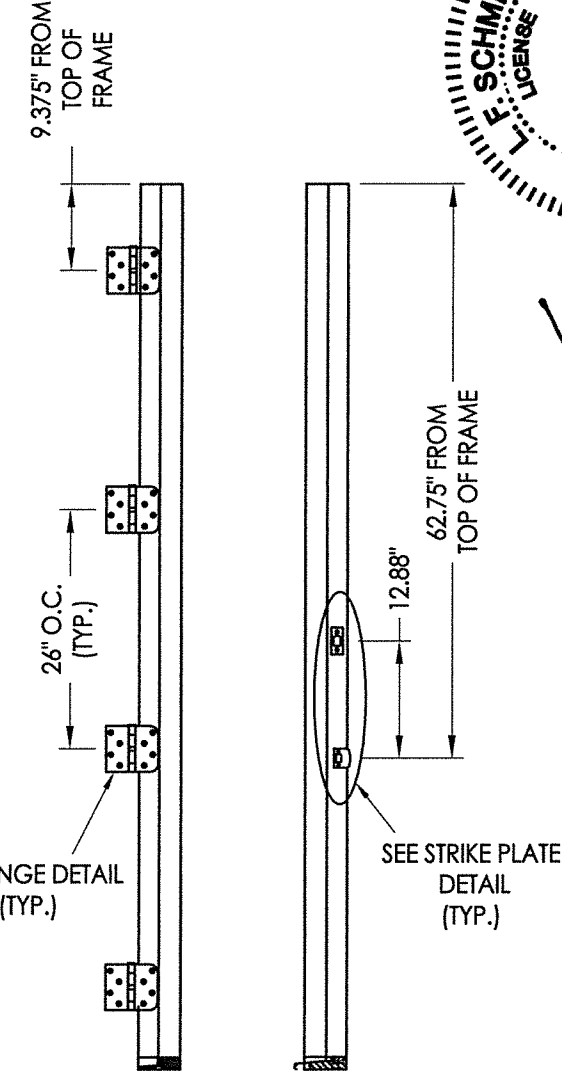
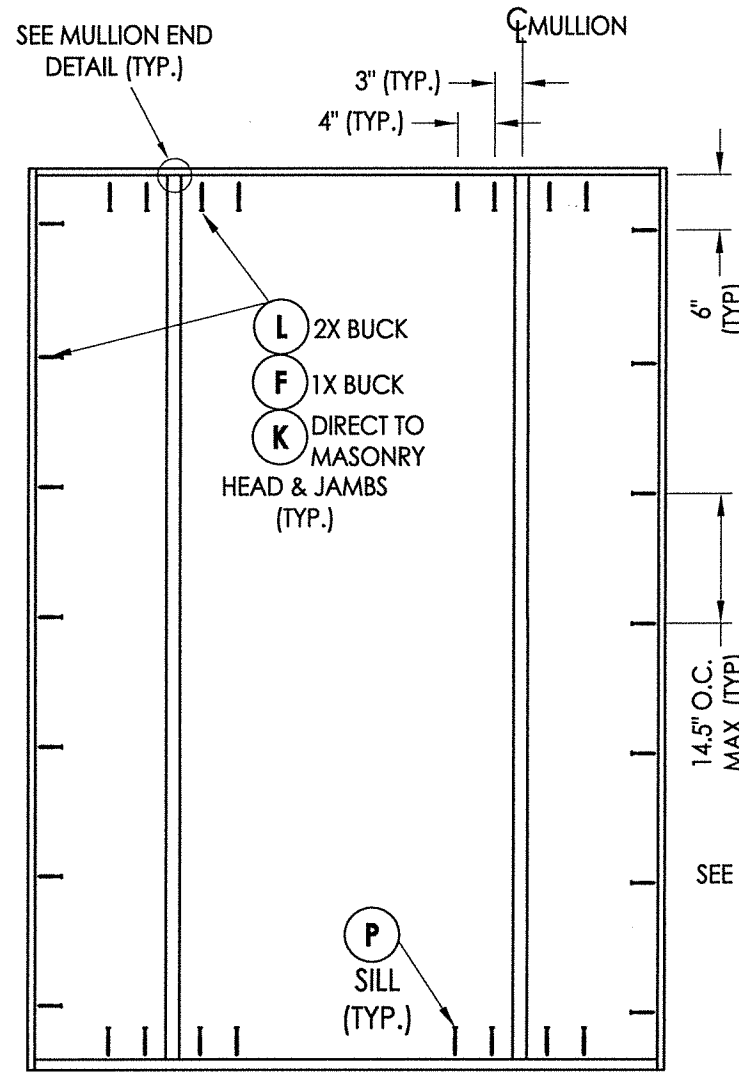
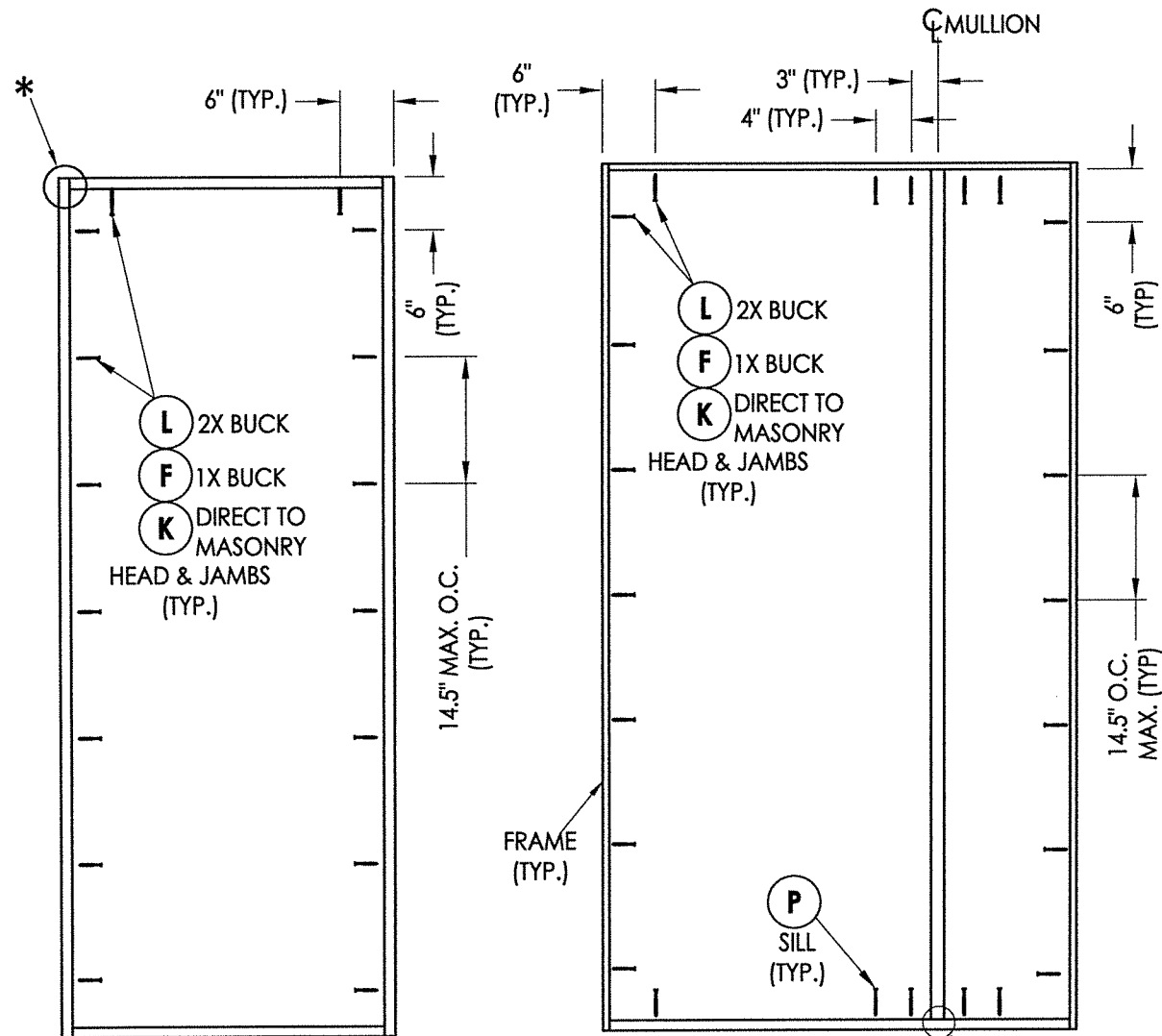
August 11, 2020
 Documents Prepared By:
 Lyndon F. Schmidt
 P.E. No. 43409

R.W. BUILDING CONSULTANTS, INC.
 P.O. Box 230, Valrico, FL 33595
 Phone No.: 813.659.9197
 FBPE Registry No. 9813

PRODUCT:	TRINITY GLASS INT'L	
PART OR ASSEMBLY:	BUCK ANCHORING	
NO.	DATE	BY
1	8/11/20	FBC
		DAC
		BY

DATE:	1/28/20
SCALE:	N.T.S.
DWG. BY:	TRJ
CHK. BY:	LFS
DRAWING NO.:	FL-25575.4
SHEET	11 OF 14

* NOTE: FRAME CORNERS ATTACHED w/
(3) #10 X 2-1/2" FH WOOD SCREWS (TYP.)



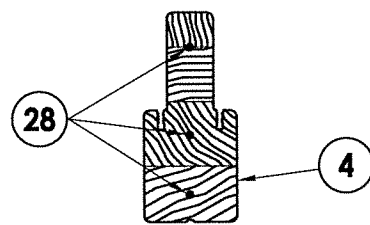
X

XO/OX

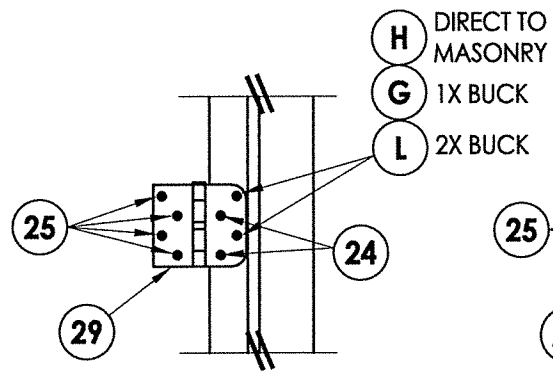
OXO

HINGE JAMB STRIKE JAMB

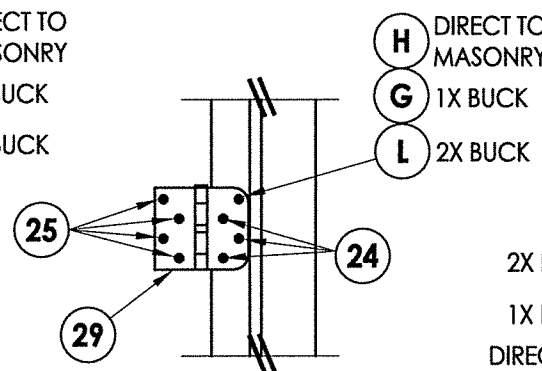
FRAME ANCHORING



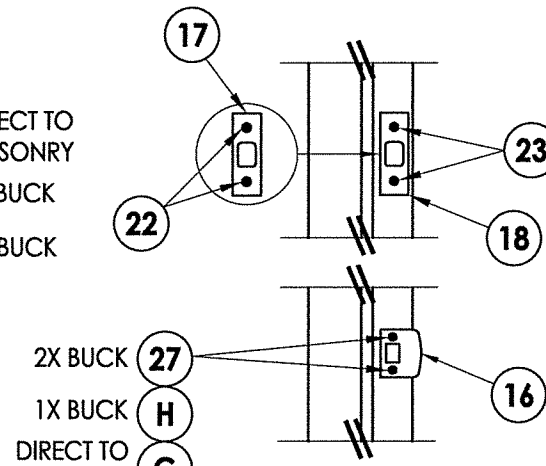
MULLION END DETAIL
(TYP. @ HEAD & SILL)



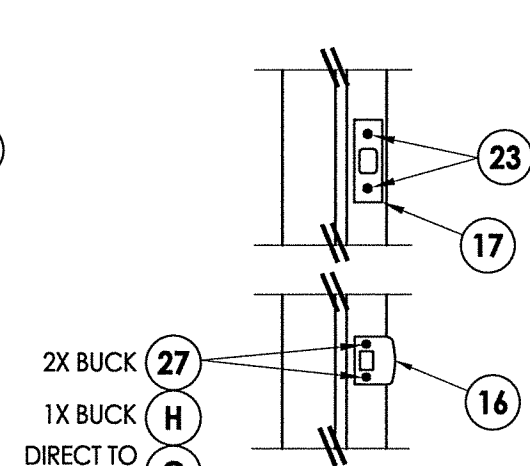
HINGE DETAIL
INSWING



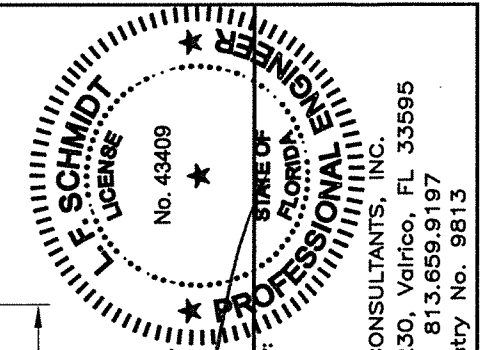
HINGE DETAIL
OUTSWING



STRIKE PLATE DETAIL
SCHLAGE LOCKSET



STRIKE PLATE DETAIL
KWIKSET LOCKSET



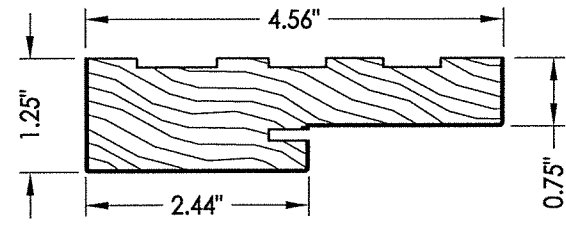
August 11, 2020
Documents Prepared By:
Lyndon F. Schmidt
P.E. No. 43409
R.W. BUILDING CONSULTANTS, INC.
P.O. Box 230, Valrico, FL 33595
Phone No.: 813.659.9197
FBPE Registry No. 9813

PRODUCT:	TRINITY GLASS INT'L	
PART OR ASSEMBLY:	FRAME ANCHORING	
NO.	DATE	BY
1	8/11/20	FBC
UPDATE TO 7th ED. (2020)		
REVISIONS		
DATE:	1/28/20	
SCALE:	N.T.S.	
DWG. BY:	TRJ	
CHK. BY:	LFS	
DRAWING NO.:	FL-25575.4	
SHEET	12 OF 14	

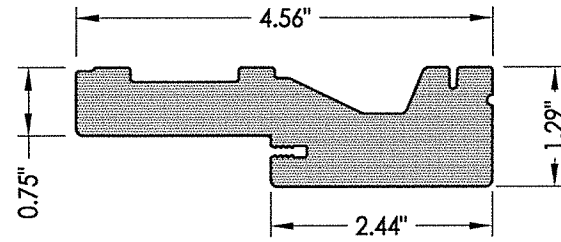
\\dc01\pwb\clients\Trinity Glass PERMANENTVA - Florida Product Approvals\FL - 25575\C. Drawings\FL 25575 (2020)\FL-25575.4.dwg

© 2020 R.W. BUILDING CONSULTANTS INC.

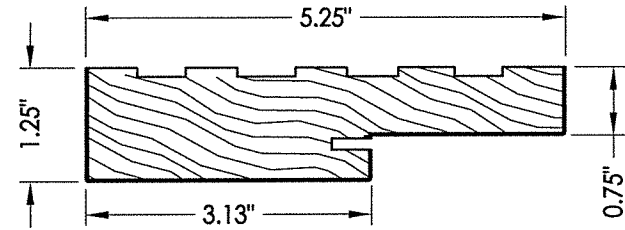
\\dc01\rvbc\Clients\Trinity Glass PERMANENTVA - Florida Product Approvals\FL - 25575\C. Drawings\FL 25575 (2020)\FL-25575.4.dwg



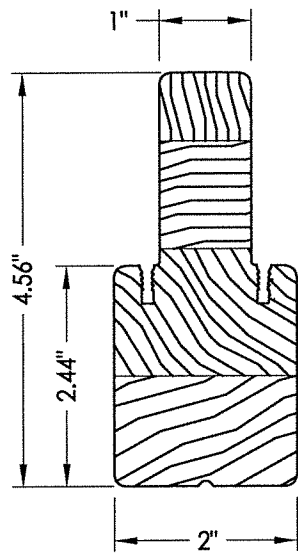
1 FINGER JOINT PINE JAMB



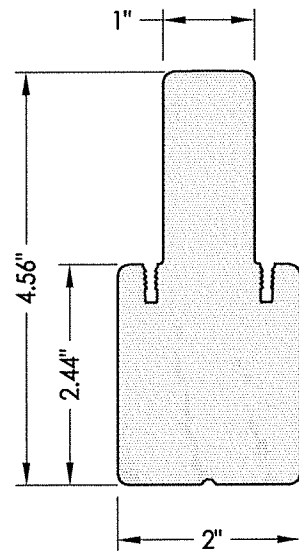
2 HEAD AND JAMBS PVC



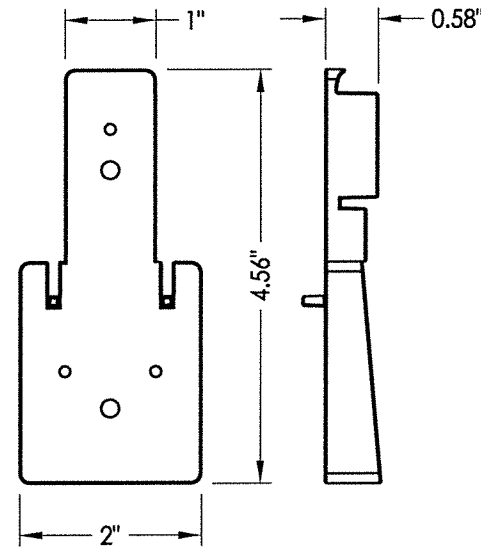
3 FINGER JOINT PINE JAMB



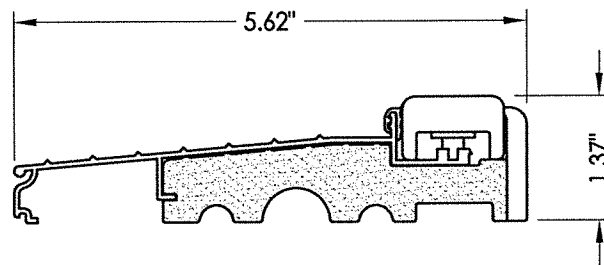
4 INTEGRAL MULLION PINE



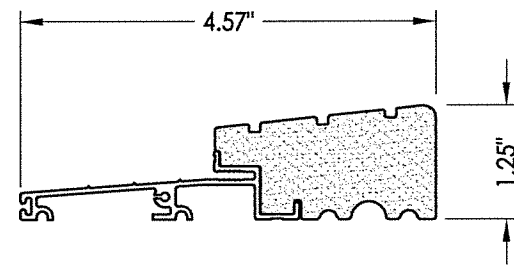
5 INTEGRAL MULLION PVC



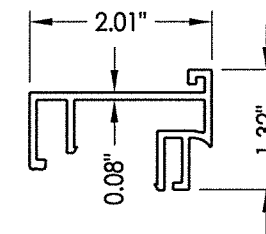
6 INTEGRAL MULLION BASE KIT Optional



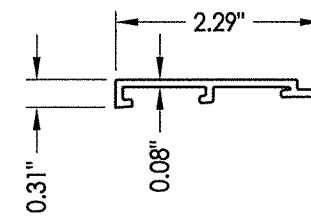
31 INSWING THRESHOLD



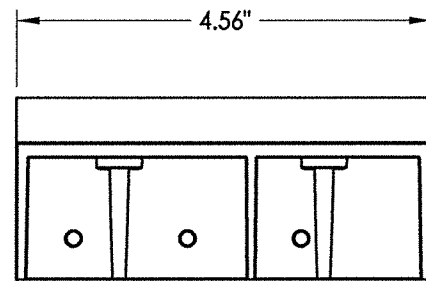
33 INSWING THRESHOLD High-dam



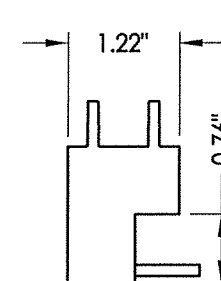
32 SIDELITE SPACER Inswing



34 SIDELITE SPACER Outswing

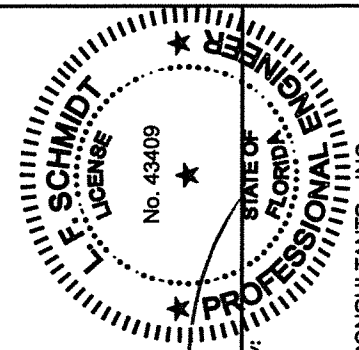
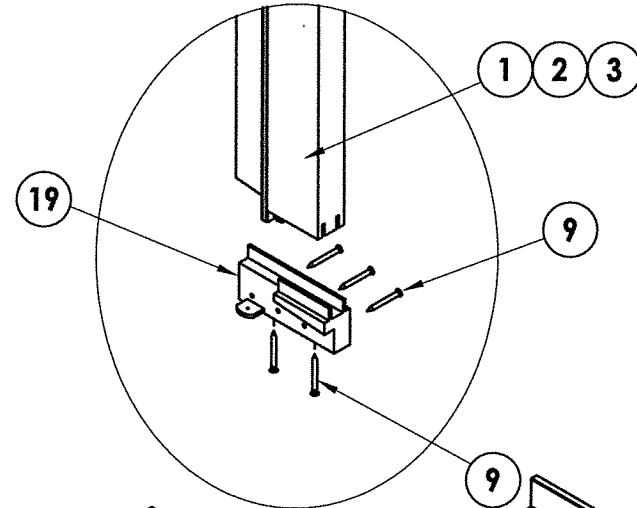


SILLKEY, LEFT



SILLKEY, RIGHT

19 SILLKEY DETAILS Optional



LFS

August 11, 2020

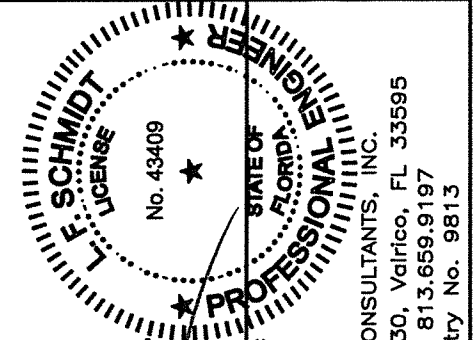
Documents Prepared By:
Lyndon F. Schmidt
P.E. No. 43409

R.W. BUILDING CONSULTANTS, INC.
P.O. Box 230, Valrico, FL 33595
Phone No.: 813.659.9197
FBPE Registry No. 9813

PRODUCT:		TRINITY GLASS INT'L	
PART OR ASSEMBLY:		COMPONENTS	
NO.	DATE	BY	REVISIONS
1	8/11/20	FBC	UPDATE TO 7th ED. (2020)
DATE:		1/28/20	
SCALE:		N.T.S.	
DWG. BY:		TRJ	
CHK. BY:		LFS	
DRAWING NO.:		FL-25575.4	
SHEET		13 OF 14	

\\dc01\wbc\Clients\Trinity Glass PERMANENTVA - Florida Product Approvals\FL - 25575\C. Drawings\FL 25575 (2020)\FL-25575-4.dwg

BILL OF MATERIALS		
ITEM #	DESCRIPTION	MATERIAL
A	1X BUCK (SG >= 0.42)	WOOD
B	2X BUCK (SG >= 0.42)	WOOD
C	1/4" MAX. SHIM SPACE	-
D	1/4" X 2-3/4" PFH DeWALT OR ITW CONCRETE SCREW	STEEL
E	MASONRY - 3,000 PSI MIN. CONCRETE CONFORMING TO ACI 301 OR HOLLOW BLOCK CONFORMING TO ASTM C90	CONCRETE
F	1/4" X 3-3/4" PFH ITW CONCRETE SCREW	STEEL
G	3/16" X 3-1/4" PFH ITW CONCRETE SCREW	STEEL
H	3/16" X 2-1/4" PFH ITW CONCRETE SCREW	STEEL
K	1/4" X 2-3/4" PFH DeWALT CONCRETE SCREW	STEEL
L	#10 X 2-1/2" PFH WS (1.15" MIN. EMBEDMENT)	STEEL
P	1/4" X 2-3/4" PFH DeWALT OR ITW CONCRETE SCREW	STEEL
1	HEAD & JAMB (FINGER-JOINT PINE - SG >= 0.42)	WOOD
2	HEAD & JAMB	PVC
3	HEAD & JAMB (5.25") (FINGER-JOINT PINE - SG >= 0.42)	WOOD
4	INTEGRAL MULLION (PINE - SG >= 0.42)	WOOD
5	INTEGRAL MULLION (PVC)	PVC
6	INTEGRAL MULLION BASE KIT	PC/ASA
7	WEATHERSTRIP	FOAM
8	DOOR BOTTOM SWEEP	PVC
9	#6 X 1-1/4" PFH DRYWALL SCREW	STEEL
11	#9 X 2-1/4" PFH WOOD SCREW	STEEL
16	LATCH STRIKE PLATE	STEEL
17	DEADBOLT STRIKE PLATE	STEEL
18	DEADBOLT SUB-STRIKE PLATE	STEEL
19	SILLKEY	ABS
22	#8 X 1/2" PFH WOOD SCREW	STEEL
23	#12 X 2-1/2" PFH WOOD SCREW	STEEL
24	#9 X 3/4" PFH WS	STEEL
25	#9 X 1" PFH WS	STEEL
26	#8 X 2" PFH WS	STEEL
27	#8 X 2-1/2" PFH WOOD SCREW	STEEL
28	#10 X 3" PFH WOOD SCREW	STEEL
29	4" X 4" HINGE	STEEL
31	INSWING THRESHOLD ALUMINUM w/ COMPOSITE SUBSTRATE	ALUM./ COMP.
32	SIDELITE SPACER - INSWING	PVC
33	OUTSWING HIGH-DAM THRESHOLD ALUMINUM w/ COMPOSITE SUBSTRATE	ALUM./ COMP.
34	SIDELITE SPACER - OUTSWING	PVC
40	DOOR PANEL - (LIGHTHOUSE)	-
50	SIDELITE - LIP LITE GLAZED	-
60	SIDELITE - FLUSH GLAZING	-



August 11, 2020
 Documents Prepared By:
 Lyndon F. Schmidt
 P.E. No. 43409
 RW BUILDING CONSULTANTS, INC.
 P.O. Box 230, Valrico, FL 33595
 Phone No.: 813.659.9197
 FBPE Registry No. 9813

PRODUCT: TRINITY GLASS INT'L
 PART OR ASSEMBLY: BILL OF MATERIALS

NO.	DATE	REVISIONS
1	8/11/20	UPDATE TO 7th ED. (2020) FBC
		DAC
		BY

CONCRETE ANCHOR NOTES:

- Concrete anchor locations at the corners may be adjusted to maintain the min. edge distance to mortar joints.
- Concrete anchor locations noted as "MAX. ON CENTER" must be adjusted to maintain the min. edge distance to mortar joints, additional concrete anchors may be required to ensure the "MAX. ON CENTER" dimension are not exceeded.
- Concrete anchor table:

ANCHOR TYPE	ANCHOR SIZE	MIN. EMBEDMENT	MIN. CLEARANCE TO MASONRY EDGE	MIN. CLEARANCE TO ADJACENT ANCHOR
ITW BUILDEX TAPCON®	3/16"	1-1/4"	AS SHOWN	1-1/2"
	1/4"	1-1/4"	2"	4"
DeWALT ULTRACON®	1/4"	1-1/4"	1"	4"

WOOD SCREW INSTALLATION NOTES:

- Maintain a minimum 5/8" edge distance, 1" end distance, & 1" o.c. spacing of wood screws to prevent the splitting of wood.

DATE: 1/28/20
 SCALE: N.T.S.
 DWG. BY: TRJ
 CHK. BY: LFS
 DRAWING NO.: FL-25575.4
 SHEET 14 OF 14